



**AGCO ALLIS
TRACTORS**

6600 SERIES



6670C 2WD 6670CA AWD

Engine Specifications

Model 1000.4-A
Type 4-cylinder, naturally aspirated
4-cycle, direct injection,
air-cooled diesel
Bore (in./mm) 4.20/105
Stroke (in./mm) 4.62/115.5
Displacement
(cu. in./ccm.) 244.00/4000
Compression Ratio 17:1
Maximum output
(hp/kw) 69.06/51.49 @2350 rpm
Torque Rise 21.8%
Official Test O.E.C.D. #1007
Max. PTO power
(hp/kw) 63.13/47.07
Fuel Consumption
(gph/lph) 2.35/8.888 PTO test avg.

Features

Air Cleaner Dry paper element
w/safety cartridge
Under-hood air intake
Exhaust Under-hood muffler,
vertical exhaust
Cylinders In-line, separately
removable, finned
for cooling
Cylinder Heads Individual, cast
iron, finned for cooling
Pistons Aluminum alloy, 4 rings
Crankshaft Cast iron (SGI)
Main Bearings Five
Crankcase Cast iron
Injection pump Bosch PFR,
individual-units, camshaft driven
Injectors Bosch DLLA
Rated engine speed 2350 rpm
Governed speed range 650 to 2520
Governor Mechanical variable speed
Cooling system Direct air-oil
cooling by 13-blade, axial
cooling blower
Lubrication Forced feed from
gear pump
Oil filter Full flow, spin-on

Fluid Capacities @ Filling

Fuel (U.S. gal/litre) 28.27/107
Eng. oil crankcase
(qt./litre) 9.72/9.2
Transmission
(U.S. gal/litre) 13.74/52
Hydraulics (U.S.
gal/litre) Common w/transmission

Electrical (12-Volt)

Alternator 55 Amp/Bosch or Marelli
Starter 3.5 kW/Bosch or Marelli
Battery 100 Ah/470 Amp
quick discharge

Lighting

Front headlights, parking &
direction indicator lights
Rear parking, direction,
stop lights, & worklight
Hazard flashers & warning horn

Clutch

Hydrostatic, self-adjusting
Type Single plate, dry, organic lining
Main disc diameter
(in./mm) 11.2/280

Transmission

Type Mechanical, synchromesh
Speeds Fwd./Rev. 12Fx12R
Gears 4 Fwd., Synchromesh
Ranges 3, plus synchronized reverser
Opt. Transmission
. 24Fx12R/16Fx16R/30Fx30R
Speed range
(mph) Fwd. 0.78-17.37
Rev. 0.77-18.08
(16.9 R 30) (kmh) Fwd. 1.25-27.96
Rev. 1.24-29.1

Power Take-Off

Type Independent, hand lever control
Speeds 540/1000/Neutral
(+775/1300)
Clutch Oil bath, hydraulic
servo control
Clutch disc dia. (in./mm)
. 4.98/124.5 Multiplate wet clutch
Shaft configuration 1 3/8" —
replaceable shaft — 6/21 spline
Eng./PTO speed ratio 540 @2083
rpm/1000@2285rpm

Steering/Brakes

Steering wheel Tilt & Telescope
Steering type Hydrostatic
Hyd. oil supply Rotary
gear pump
Service brakes
Rear Inboard, wet disc,
hyd. actuated
Service brakes
Front (AWD) Wet disc,
simultaneous w/rear
Parking brake Independent,
mechanical, oil bath,
dual disc
Turning Radius See Front Axle Spec's.

Hydraulics

Type Open center, load
sensing system
Flow (gpm/l.m.) 8.72/33
Pressure (psi/bar) 2610/180
Pump type Rotary gear
Pump drive From live
transmission shaft
Steering pump Tandem mounted
rotary gear pump
Remote valves One db'l./one sg'l.
acting w/float pos.
Type Double acting
Remote couplers ISO
Max. flow @ remotes
(gpm/lpm) 8.72/33

Three-Point Hitch

Dimensions Cat. II/convertible to Cat. I
Lift cylinders one, internal
Lift capacity
(lbs/kg) 6490/2944
@ lower link ends
Controls Draft/Position/Float
Draft sensing Lower link
Stabilizers Telescopic
Drawbar Swinging



Operator Area

Type Isolation mounted
ROPS cab
2 doors & roof hatch,
tinted glass
Front windshield wiper
& washer
Seat Sable, fabric covered,
armrests & seatbelt
Ventilation Filter & inlet grille @
front roofline
3-speed, dual cage fan,
4 adj. outlets
Recirculation control
Heating Electric, 2800 Watt,
electronic control
Dedicated 65 Amp
alternator
Air-Conditioning 4-coil condenser,
Clarion F140
compressor
Trans. shift levers Right side
mounted

Instrumentation

Comb. Tachometer/Speedometer/
Hourmeter
Fuel level gauge
Warning lights for Eng. oil
pressure,
Alternator,
Fuel reserve,
Direction indicator,
Diff-lock engaged, AWD
engaged, PTO engaged,
Park brake engaged,
Eng. air filter, Hyd. oil
filter, PTO oil filter,
Brake fluid

TRACTOR MODEL	6670C (2WD)	6670CA (4WD)
Front axle	Telescopic	Center differential
Drive ratio	NA	1.3234
Differential lock	NA	Mechanical, simultaneous with rear diff-lock
Tires (std.)	7.50 x 16	12.4 R 24 Radial
Tires (opt.)		13.6 R 24 Radial
Rim type	Reversible	Manual adjustable
Flange dimensions (in/mm)	61.2/1530	70.8/1770
Min. treadwidth (in/mm)	56.0/1400	64.0/1600
Max. treadwidth (in/mm)	80.0/2000	84.8/2120
Turn radius, w/brakes (ft/mm)	11.5/3500	13.9/4250
Turn radius, w/brakes (ft/mm)	9.4/2880	9.4/2880
Min. ground clearance (in/mm)	15.2/380	15.2/380
Rear axle	Flange type	Flange type
Flange dimensions (in/mm)	65.6/1640	65.6/1640
Final drive	Inboard, planetary	Inboard, planetary
Differential lock	Mechanical, foot pedal actuated	Mechanical, foot pedal actuated
Tires (std.)	16.9 R 30 Radial	16.9 R 30 Radial
Tires (opt.)	18.4 R 30 Radial	18.4 R 30 Radial
Rim type	Manual adjustable	Manual adjustable
Min. treadwidth (in/mm)	60.0/1500	60.0/1500
Max. treadwidth (in/mm)	80.0/2000	80.0/2000

6690/6690C 2WD 6690/6690CA AWD

Engine Specifications

Model 1000.4-AT
Type 4-cylinder, turbocharged
4-cycle, direct injection,
air-cooled diesel
Bore (in./mm) 4.20/105
Stroke (in./mm) 4.62/115.5
Displacement
(cu. in./ccm.) 244.00/4000
Compression Ratio 16:1
Maximum output
(hp/kw) 86.91/64.8 @2500 rpm
Torque Rise 28%
Official Test O.E.C.D. #1080
Max. PTO power
(hp/kw) 80.88/60.3
Fuel Consumption
(gph/lph) 3.15/11.93 PTO test avg.

Features

Air Cleaner Dry paper element
w/safety cartridge
Under-hood air intake
Exhaust Under-hood muffler,
vertical exhaust
Cylinders In-line, separately
removable, finned
for cooling
Cylinder Heads Individual, cast
iron, finned for cooling
Pistons Aluminum alloy, 3 rings
Crankshaft Cast iron (SGI)
Main Bearings Five
Crankcase Cast iron
Injection pump Bosch PFR,
individual-units, camshaft driven
Injectors Bosch DLLA
Rated engine speed 2500 rpm
Governed speed range 650 to 2710
Governor Mechanical variable speed
Cooling system Direct air-oil
cooling by 13-blade, axial
cooling blower
Lubrication Forced feed from
gear pump
Oil filter Full flow, spin-on
Cold Start Aid Thermostat

Fluid Capacities @ Filling

Fuel (U.S. gal/litre) 28.27/107
Eng. oil crankcase
(qt./litre) 9.72/9.2
Transmission
(U.S. gal/litre) 15.24/57.7
Hydraulics (U.S.
gal/litre) Common w/transmission

Electrical (12-Volt)

Alternator 55 Amp/Bosch or Marelli
Starter 3.5 kW/Bosch or Marelli
Battery 100 Ah/470 Amp
quick discharge

Lighting

Front headlights, parking &
direction indicator lights
Rear parking, direction,
stop lights, & worklight
Hazard flashers & warning horn

Clutch

Hydrostatic, self-adjusting
Type . Single plate, dry, organic lining
Main disc diameter
(in./mm) 12.2/305

Transmission

Type Mechanical, synchromesh
Speeds Fwd./Rev. 12Fx12R
Gears 4 Fwd., Synchromesh
Ranges 3, plus synchronized reverser
Opt. Transmission
. 24Fx12R/16Fx16R/30Fx30R
Speed range
(mph) Fwd. 0.79-17.76
Rev. 0.82-18.50
(16.9 R 34) (kmh) Fwd. 1.27-28.58
Rev. 1.32-29.77

Power Take-Off

Type . Independent, hand lever control
Speeds 540/1000/Neutral
(+775/1300)
Clutch Oil bath, hydraulic
servo control

Clutch disc dia.
(in./mm) 4.98/124.5
Multiplate wet clutch
Shaft configuration 1 3/8" —
replaceable shaft — 6/21 spline
Eng./PTO speed ratio 540 @2200
rpm/1000@2450rpm

Steering/Brakes

Steering wheel Tilt & Telescope
Steering type Hydrostatic
Hyd. oil supply Rotary
gear pump

Service brakes
Rear Inboard, wet disc,
hyd. actuated

Service brakes
Front (AWD) Wet disc,
simultaneous w/rear

Parking brake Independent,
mechanical, oil bath,
dual disc.

Turning Radius . See Front Axle Spec's.

Hydraulics

Type open center, load
sensing system

Flow (gpm/l.m.) 11.23/42.5
Pressure (psi/bar) 2610/180
Pump type Rotary gear
Pump drive From live
transmission shaft

Steering pump Tandem mounted
rotary gear pump

Remote valves One db'l./one sg'l.
acting w/float pos.

Type Double acting

Remote couplers ISO
Max. flow @ remotes
(gpm/lpm) 11.23/42.5

Three-Point Hitch

Dimensions Cat. II/convertible to Cat. I
Lift cylinders one, internal
Lift capacity
(lbs/kg) 6790/3080
@ lower link ends

Controls Draft/Position/Float
Draft sensing Lower link
Stabilizers Telescopic
Drawbar Swinging



Operator Area

ROPS Type Isolation mounted
platform, 4-post ROPS

Seat Sable (DS 83) w/
armrests & seatbelt,
vinyl covered

Trans. shift levers Right side
mounted

Cab Type Isolation mounted
ROPS cab

2 doors & roof hatch,
tinted glass
Front windshield wiper
& washer

Seat Sable, fabric covered,
armrests & seatbelt

Ventilation Filter & inlet grille @
front roofline
3-speed, dual cage fan,
4 adj. outlets

Recirculation control

Heating Electric, 2800 Watt,
electronic control
Dedicated 65 Amp
alternator

Air-Conditioning 4-coil condenser,
Clarion F140
compressor
Trans. shift levers Right side
mounted

Instrumentation

Comb. Tachometer/Speedometer/
Hourmeter

Fuel level gauge
Warning lights for Eng. oil
pressure,
Alternator,
Fuel reserve,
Direction indicator,
Diff-lock engaged, AWD
engaged, PTO engaged,
Park brake engaged,
Eng. air filter, Hyd. oil
filter, PTO oil filter,
Brake fluid level

TRACTOR MODEL	6690/C (2WD)	6690A/CA (4WD)
Front axle	Telescopic	Center differential
Drive ratio	NA	1.3087
Differential lock	NA	Mechanical, simultaneous with rear diff-lock
Tires (std.)	7.50 x 18	14.9 R 24 Radial
Tires (opt.)	10.00 x 16	16.9 R 24 Radial
Rim type	Reversible	Manual adjustable
Flange dimensions (in/mm)	61.2/1530	70.8/1770
Min. treadwidth (in/mm)	56.0/1400	64.0/1600
Max. treadwidth (in/mm)	80.0/2000	85.2/2130
Turn radius, no brakes (ft/mm)	11.6/3550	16.2/4950
Turn radius, w/brakes (ft/mm)	9.6/2940	9.6/2940
Min. ground clearance (in/mm)	17.6/440	18.0/450
Rear axle	Flange type	Flange type
Flange dimensions (in/mm)	69.6/1740	69.6/1740
Final drive	Inboard, planetary	Inboard, planetary
Differential lock	Mechanical, foot pedal actuated	Mechanical, foot pedal actuated
Tires (std.)	16.9 R 34 Radial	16.9 R 34 Radial
Tires (opt.)	18.4 R 34 Radial	18.4 R 34 Radial
Rim type	Manual adjustable	Manual adjustable
Min. treadwidth (in/mm)	60.0/1500	60.0/1500
Max. treadwidth (in/mm)	84.0/2100	84.0/2100

6670

Ground speeds at 2350 engine rpm

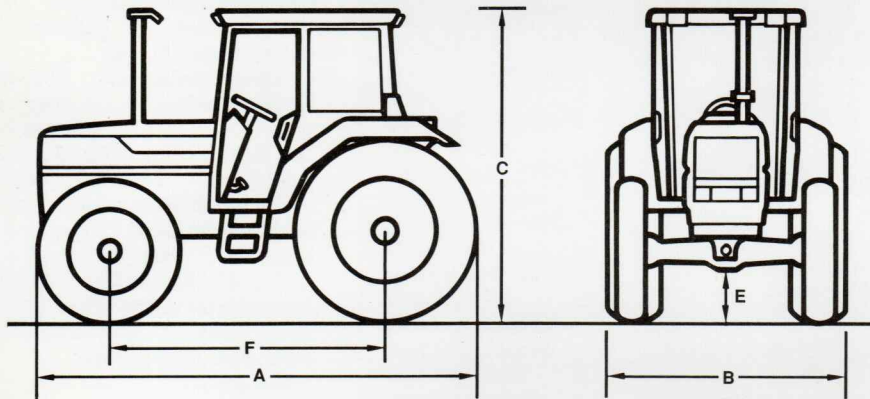
STANDARD TRANSMISSION 12F + 12R			
16.9 R 30		18.4 R 30	
MPH	KMH	MPH	KMH
FORWARD SPEEDS			
L1	0.77	L1	0.80
L2	1.03	L2	1.06
L3	1.26	L3	1.30
L4	1.80	L4	1.86
M1	2.46	M1	2.55
M2	3.27	M2	3.39
M3	4.00	M3	2.91
M4	5.73	M4	5.93
H1	7.44	H1	7.71
H2	9.90	H2	10.32
H3	12.10	H3	13.63
H4	17.34	H4	18.09
REVERSE SPEEDS			
L1	0.77	L1	0.83
L2	1.07	L2	1.11
L3	1.31	L3	1.36
L4	1.87	L4	1.94
M1	2.56	M1	2.65
M2	3.41	M2	3.52
M3	4.17	M3	4.32
M4	5.96	M4	6.18
H1	7.75	H1	8.03
H2	10.31	H2	10.68
H3	12.62	H3	13.08
H4	18.06	H4	18.71

6680—6690

Ground speeds at 2500 engine rpm

STANDARD TRANSMISSION 12F + 12R					
16.9 R 34		18.4 R 30		18.4 R 34	
MPH	KMH	MPH	KMH	MPH	KMH
FORWARD SPEEDS					
L1	0.79	L1	0.76	L1	0.81
L2	1.05	L2	1.02	L2	1.09
L3	1.28	L3	1.24	L3	1.33
L4	1.83	L4	1.77	L4	1.90
M1	2.51	M1	2.43	M1	2.60
M2	3.34	M2	3.23	M2	3.45
M3	4.09	M3	3.96	M3	4.23
M4	5.85	M4	5.65	M4	6.05
H1	7.61	H1	7.35	H1	7.86
H2	10.12	H2	9.78	H2	10.46
H3	12.39	H3	11.97	H3	13.89
H4	17.72	H4	17.12	H4	18.43
REVERSE SPEEDS					
L1	0.82	L1	0.79	L1	0.85
L2	1.09	L2	1.05	L2	1.13
L3	1.34	L3	1.29	L3	1.38
L4	1.91	L4	1.85	L4	1.98
M1	2.62	M1	2.53	M1	2.70
M2	3.48	M2	3.37	M2	3.60
M3	4.26	M3	4.12	M3	4.40
M4	6.10	M4	5.89	M4	6.30
H1	7.92	H1	7.66	H1	8.18
H2	10.54	H2	10.19	H2	10.89
H3	12.90	H3	12.47	H3	14.46
H4	18.46	H4	17.84	H4	19.20

TRACTOR DIMENSIONS CHART



6680—6690

Ground speeds at 2500 engine rpm

OPTIONAL PWR. HI-LO TRANSMISSION 30F + 30R					
16.9 R 34			16.9 R 34		
MPH	KMH	MPH	KMH	MPH	KMH
FORWARD SPEEDS			REVERSE SPEEDS		
L1A	0.46	0.74	L1A	0.48	0.77
L1B	0.53	0.86	L1B	0.55	0.90
L2A	0.68	1.09	L2A	0.70	1.14
L2B	0.79	1.27	L2B	0.82	1.33
L3A	0.90	1.45	L3A	0.94	1.51
L3B	1.05	1.69	L3B	1.09	1.76
L4A	1.19	1.91	L4A	1.24	1.99
L4B	1.38	2.23	L4B	1.44	2.33
M1A	1.45	2.35	M1A	1.51	2.44
L5A	1.58	2.54	L5A	1.64	2.65
M1B	1.70	2.74	M1B	1.77	2.85
L5B	1.84	2.96	L5B	1.91	3.09
M2A	2.15	3.47	M2A	2.24	3.62
M2B	2.51	4.05	M2B	2.62	4.22
M3A	2.87	4.62	M3A	2.98	4.81
M3B	3.34	5.39	M3B	3.48	5.62
M4A	3.78	6.10	M4A	3.94	6.35
H1A	4.40	7.10	H1A	4.58	7.39
M4B	4.41	7.11	M4B	4.59	7.41
M5A	5.02	8.09	M5A	5.23	8.43
H1B	5.14	8.28	H1B	5.35	8.63
M5B	5.85	9.44	M5B	6.10	9.83
H2A	6.52	10.52	H2A	6.79	10.95
H2B	7.61	12.27	H2B	7.92	12.78
H3A	8.68	13.99	H3A	9.04	14.57
H3B	10.12	16.33	H3B	10.54	17.00
H4A	11.44	18.46	H4A	11.92	19.22
H4B	13.35	21.54	H4B	13.91	22.43
H5A	15.19	24.50	H5A	15.82	25.52
H5B	17.72	28.58	H5B	18.46	29.77

CHASSIS DATA	6670C (2WD)	6670CA (4WD)	6680C (2WD)	6680CA (4WD)	6690/C (2WD)	6690/CA (4WD)
(F) Wheelbase (in/mm)	94.4/2360	91.2/2280	96.4/2410	92.8/2320	96.4/2410	92.8/2320
(A) Overall length (in/mm)	160.0/4000	159.2/3980	161.2/4030	160.8/4020	161.2/4030	160.8/4020
(B) Min. overall width (in/mm)	78.8/1970	78.8/1970	82.4/2060	80.8/2020	82.4/2060	80.8/2020
(C) Max. height (in/mm)	108.0/2700	108.0/2700	111.2/2780	111.2/2780	111.2/2780	111.2/2780
(E) Ground clearance	15.2/380	15.2/380	17.6/440	18.0/450	17.6/440	18.0/450
Approx. shipping weight (lbs/kg)	6173/2800	6702/3040	6724/3050	7385/3350	6724/3050	7385/3350
Max. perm. wt. (lbs/kg)						
Front	3086/1400	4409/2000	3527/1600	4850/2200	3527/1600	4850/2200
Rear	6614/3000	7275/3300	7937/3600	9259/4200	8377/3800	9259/4200
Total	9700/4400	10803/4900	11464/5200	12015/5450	11464/5200	12015/5450

MODEL 6670 STANDARD EQUIPMENT

Engine

63.13 PTO/hp Model 6670
244 cu. in. (4.0L) Model 1000.4-A
4-Cylinder, Naturally Aspirated
4-Cycle, Direct Injection, Air-cooled
Diesel Engine

Direct Air-oil Cooling by 13-Blade
Axial Cooling Blower
Under-hood Muffler w/Vertical Exhaust
Under-hood Air Intake, Dry Paper
Element Air Cleaner with Safety
Cartridge

22.98 Gal. (87L) Fuel Tank

Power Train

Hydrostatic, Self-Adjusting Single
11.2" (280 mm) Dry Plate Clutch
with Organic Lining
Mechanical Syncromesh Transmission
12 Fwd./12 Rev. Speeds

Inboard Hyd. Actuated Wet Disc Brakes
Inboard, Planetary Final Drive
Mechanical, Foot Pedal Actuated
Differential-lock
Independent 540/1000 PTO (1%")

Hydraulics

8.72 gpm Open Center System
One Double and One Single
Acting Remote Valve w/ISO
Couplers

Hitch

Cat. II — Convertible to Cat. I
3-Point Hitch

Telescopic Stabilizers

Swinging Drawbar

Electrical System

100 Ah 12-Volt Battery w/470 Amp
Quick Discharge
55 Amp Alternator

Lighting

Includes:
Front — Headlights, Parking and
Direction Indicator Lights
Rear — Parking, Direction, Stop Lights
and Worklight
Hazard Flashers and Warning Horn

Axles and Tires

Center Differential Front Axle with
12.4R24 Radial Tires (4WD)
Manual Adjustable Rims with 16.9R30
Radial Tires
Telescopic Front Axle with 7.50x16
Tires (2WD)

Operator Area

Isolation Mounted ROPS Cab, 2
Door & Roof Hatch, Tinted Glass,
Front Windshield Wiper & Washer,
Heating & Air Conditioning, Fabric

Covered Seat w/Armrests &
Seat Belt
Tilt/Telescopic Steering Wheel and
Hydrostatic Steering
Right Side Mounted Transmission
Shift Levers

Instrumentation

Combination Tachometer/Speedometer/
Hourmeter
Fuel Level Gauge
Warning Lights for Alternator, Engine
Oil Pressure, Engine Air Filter,
Hyd. Oil Filter, Fuel Reserve,
Direction Indicator, Diff-lock
Engaged, AWD Engaged, PTO
Engaged, Park Brake Engaged,
PTO Oil Filter and Brake Fluid
Level

MODEL 6680 STANDARD EQUIPMENT

Engine

72.70 PTO/hp Model 6680
244 cu. in. (4.0L) Model 1000.4-A
4-Cylinder, Naturally Aspirated
4-Cycle, Direct Injection, Air-cooled
Diesel Engine

Direct Air-oil Cooling by 13-Blade
Axial Cooling Blower

Under-hood Muffler w/Vertical
Exhaust

Under-hood Air Intake, Dry Paper
Element Air Cleaner with Safety
Cartridge

28.27 Gal. (107L) Fuel Tank

Power Train

Hydrostatic, Self-Adjusting Single
12.2" (305 mm) Dry Plate Clutch
with Organic Lining
Mechanical Syncromesh Transmission
12 Fwd./12 Rev. Speeds

Inboard Hyd. Actuated Wet Disc
Brakes
Inboard, Planetary Final Drive
Mechanical, Foot Pedal Actuated
Differential-lock
Independent 540/1000 PTO (1%")

Hydraulics

11.23 gpm Open Center System
One Double and One Single Acting
Remote Valve w/ISO Couplers

Hitch

Cat. II — Convertible to Cat. I
3-Point Hitch

Telescopic Stabilizers

Swinging Drawbar

Electrical System

100 Ah 12-Volt Battery w/470 Amp
Quick Discharge
55 Amp Alternator

Lighting

Includes:
Front — Headlights, Parking and
Direction Indicator Lights
Rear — Parking, Direction, Stop Lights
and Worklight
Hazard Flashers and Warning Horn

Axles and Tires

Center Differential Front Axle with
14.9R24 Radial Tires (4WD)
Manual Adjustable Rims with 16.9R34
Radial Tires
Telescopic Front Axle with 7.50x18
Tires (2WD)

Operator Area

Isolation Mounted ROPS Cab, 2 Door
& Roof Hatch, Tinted Glass, Front
Windshield Wiper & Washer, Heat-
ing & Air Conditioning, Fabric
Covered Seat w/Armrests &
Seat Belt

Tilt/Telescopic Steering Wheel and
Hydrostatic Steering
Right Side Mounted Transmission Shift
Levers

Instrumentation

Combination Tachometer/Speedometer/
Hourmeter
Fuel Level Gauge
Warning Lights for Alternator, Engine
Oil Pressure, Engine Air Filter,
Hyd. Oil Filter, Fuel Reserve, Direc-
tion Indicator, Diff-lock Engaged,
AWD Engaged, PTO Engaged, Park
Brake Engaged, PTO Oil Filter and
Brake Fluid Level

MODEL 6690 STANDARD EQUIPMENT

Engine

80.88 PTO/hp Model 6690
244 cu. in. (4.0L) Model 1000.4-AT
4-Cylinder, Turbocharged 4-Cycle,
Direct Injection, Air-cooled Diesel
Engine

Direct Air-oil Cooling by 13-Blade
Axial Cooling Blower

Under-hood Muffler w/Vertical
Exhaust

Under-hood Air Intake, Dry Paper
Element Air Cleaner with Safety
Cartridge

28.27 Gal. (107L) Fuel Tank

Power Train

Hydrostatic, Self-Adjusting Single
12.2" (305 mm) Dry Plate Clutch
with Organic Lining
Mechanical Syncromesh Transmission
12 Fwd./12 Rev. Speeds

Inboard Hyd. Actuated Wet Disc
Brakes
Inboard, Planetary Final Drive
Mechanical, Foot Pedal Actuated
Differential-lock
Independent 540/1000 PTO (1%")

Hydraulics

11.23 gpm Open Center System
One Double and One Single Acting
Remote Valve w/ISO Couplers

Hitch

Cat. II — Convertible to Cat. I
3-Point Hitch

Telescopic Stabilizers

Swinging Drawbar

Electrical System

100 Ah 12-Volt Battery w/470 Amp
Quick Discharge
55 Amp Alternator

Lighting

Includes:
Front — Headlights, Parking and
Direction Indicator Lights
Rear — Parking, Direction, Stop Lights
and Worklight
Hazard Flashers and Warning Horn

Axles and Tires

Center Differential Front Axle with
14.9R24 Radial Tires (4WD)
Manual Adjustable Rims with 16.9R34
Radial Tires
Telescopic Front Axle with 7.50x18
Tires (2WD)

Operator Area

ROPS: Isolation Mounted 4-Post ROPS
Vinyl Covered Seat w/Armrests &
Seat Belt
CAB: Isolation Mounted ROPS Cab,

2 Door & Roof Hatch, Tinted Glass,
Front Windshield Wiper & Washer,
Heating & Air Conditioning, Fabric
Covered Seat w/Armrests & Seat
Belt

Tilt/Telescopic Steering Wheel and
Hydrostatic Steering
Right Side Mounted Transmission Shift
Levers

Instrumentation

Combination Tachometer/Speedometer/
Hourmeter
Fuel Level Gauge
Warning Lights for Alternator, Engine
Oil Pressure, Engine Air Filter,
Hyd. Oil Filter, Fuel Reserve, Direc-
tion Indicator, Diff-lock Engaged,
AWD Engaged, PTO Engaged, Park
Brake Engaged, PTO Oil Filter and
Brake Fluid Level

The information contained herein is general in nature and is not intended for specific application purposes. Deutz-Allis reserves the right to make changes in specifications shown herein or to add improvements at any time without notice or obligation.



**Deutz-Allis
Corporation**
5295 Triangle Parkway
Norcross, GA 30092