

Ford Narrow Tractors 45 to 70 PTO hp

3830 4030 4230 4430



NEW HOLLAND



Narrow tractors work hard in cramped quarters

*Ford narrow tractors are designed for working in tight places.
The Model 3830 has an operating width of 49 inches.*



When it comes to some jobs, good things come in narrow packages. That's why Ford narrow tractors are designed to go where others fear to tread. They squeeze through openings as narrow as 49 inches (125 cm). A folding rollbar, telescoping steering column, and wrap-around fenders allow these tractors to work near trees and vines without causing damage.

You'll like the low profile, too. Equipped with standard tires, these tractors measure between 80.6 and 85 inches (205 to 216 cm) to the top of the rollbar (when vertical), and from 50 to 54.5 inches (127 to 138 cm) to the top of the steering wheel with the rollbar folded.

These narrow tractors are also very maneuverable, with tight turning radiuses on both the 2WD and 4WD models. And just wait until you see these tractors work! Economical diesel engines on the four models produce forty-five to



Dimensions of Model 4430 with cab: Height, 85.6 inches. Width at fenders, 44 inches. Width at top of cab, 37.5 inches.

seventy PTO horsepower. Four-wheel drive, standard on the Model 4430 and optional on the three other models, adds to their productivity.

Deluxe, low-profile cab

The deluxe low-profile cab adds comfort and convenience with sound proofing, air filtering, air conditioning and heating. Front and rear windows have wipers with washer, and are hinged at the top for easy opening. Removable panels are located where cables can be routed into the cab. (Cab not available on "3830".)

Reliable synchromesh transmissions

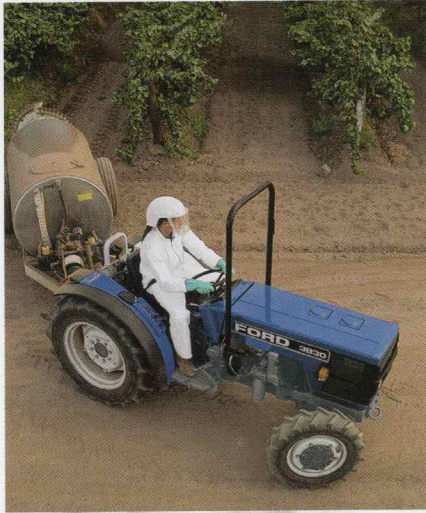
Choose from two transmissions to match the work you do: the 12x4 transmission which offers three ranges of four synchronized forward speeds; or the 12x12 transmission featuring a synchronized mechanical shuttle and three ranges of four synchronized forward speeds.

Get a tractor that combines power, maneuverability and the ability to work in cramped quarters. See your New Holland dealer about a Ford narrow tractor.



Narrow profile comfort cab has great visibility in all directions, and easy access with large doors on either side.

Small tractors, big power



Ford narrow tractors were originally designed for working in vineyards, hop yards, orchards and nurseries where mid-sized power in a small tractor is important.

Now their use has expanded to operations like greenhouses and bulk storage facilities where

operating space is at a premium. Compact size, 45 to 70 PTO hp, choice of two-wheel or four-wheel drive, and the ability to power PTO and hydraulically driven equipment like sprayers, grape harvesters and mowers make these tractors very versatile and efficient.

Four wheel drive provides extra traction for pulling heavy loads through soft soils or mud.



Normally, the operator should keep the rollbar in the vertical position when running the tractor. However, under safe operating conditions where more clearance is required, the rollbar can be folded forward. The folded rollbar also acts as a bumper protecting the front of the tractor. **The operator should not fasten the seat belt while operating with the rollbar folded.**

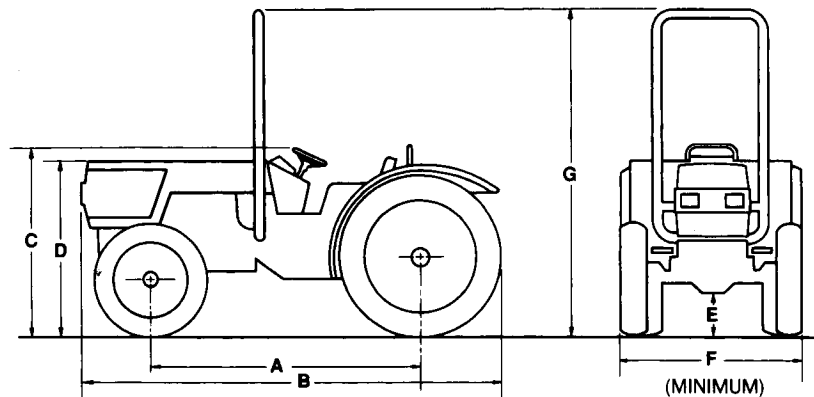
Wrap-around fenders with flexible outer edges protect plants, vines and trees from damage.





Specifications

MODEL	3830 2WD/4WD	4030 2WD/4WD	4230 2WD/4WD	4430 2WD/4WD			
PTO hp (KW)	45 (33.6)	51 (38.1)	62 (46.3)	70 (52.3)			
ENGINES							
Cylinders	3	3	4	4			
Displacement cu.in.(L)	165 (2.7)	179 (2.9)	220 (3.6)	238 (3.9)			
Rated Speed (rpm)	2500	2500	2500	2500			
Cold Start	Thermostat	Ether	Ether	Ether			
Fuel Capacity gal (L)	11.9 (45)	13.7 (51.8)	13.7 (51.8)	13.7 (51.8)			
PTO							
Speed	540	540	540/1000	540\1000			
Type	Independent	Independent	Independent	Independent			
HYDRAULICS							
Flow gpm (L/m)	11 (41.6)	11 (41.6)	11 (41.6)	11 (41.6)			
3-Pt Lift Capacity lbs(Kg)	4321 (1960)	4906 (2225)	5931 (2690)	5931 (2690)			
Number of Remote Outlets							
Standard	2	2	2	2			
Optional	3	3	3	3			
STANDARD TIRES							
Front 2WD/4WD	5.50x16/6.00x16	27x9.50-15/9.5x16	27x9.50-15/9.5x16	NA/9.5x16			
Rear 2WD/4WD	11.2x24	14.9x24	14.9x24	14.9x24			
Treadwidth Range Front in (cm)							
2WD	41-45 (104-114)	46-58 (117-147)	46-58 (117-147)	NA			
4WD	39-49 (99-125)	47-53 (119-135)	47-53 (119-135)	47-53 (119-135)			
Rear	35-47 (89-119)	42-57 (107-145)	42-57 (107-145)	42-57 (107-145)			
WEIGHT (TOTAL)							
2WD	3851 (1745)	4662 (2115)	4871 (2210)	NA			
4WD	4035 (1830)	5069 (2300)	5290 (2400)	5290 (2400)			
TRANSMISSIONS							
	MODEL 3830 WITH		MODEL 4030, 4230, 4430 WITH				
	12x4 CONSTANT MESH TRANSMISSION*		WITH 12X4 CONSTANT MESH TRANSMISSION*				
	11.2x24 tires @ 2500 Engine RPM		14.9-24 Tires @ 2500 Engine RPM				
	RANGE		RANGE				
	GEAR	LOW	MEDIUM	HIGH	REVERSE		
	1	.7	2.0	5.1	2.1		
	2	1.2	3.1	8.1	3.4		
	3	1.6	4.0	10.3	4.3		
	4	2.5	6.4	16.4	6.8		
	Speeds in MPH		Speeds in MPH				
Dimensions in (cm) (With standard tires)							
MODEL	A	B	C	D	E	F	G
	(Wheelbase)	(Overall Length)	(Top Steering)	(Top Hood)	(Front Axle Clearance)	(Width)	(Top Rollbar)
3830 2WD	72.6 (184)	128.9 (327)	51.9 (132)	46.5 (118)	14.6 (37)	49.0 (124)	82.0 (208)
3830 4WD	75.5 (192)	129.5 (329)	50.0 (127)	44.7 (114)	8.3 (21)	49.0 (124)	80.6 (205)
4030 2WD	74.3 (189)	134.4 (341)	52.8 (134)	48.5 (123)	15.4 (39)	57.5 (146)	83.4 (212)
4030 4WD	78.6 (200)	140.0 (356)	54.5 (138)	50.2 (128)	15.5 (40)	58.5 (149)	85.0 (216)
4230 2WD	78.8 (200)	138.5 (352)	52.8 (134)	48.5 (123)	15.4 (39)	57.5 (146)	83.4 (212)
4230 4WD	83.1 (211)	144.5 (367)	54.5 (138)	50.2 (128)	15.5 (40)	58.5 (149)	85.0 (216)
4430 4WD	83.1 (211)	144.5 (367)	54.5 (138)	50.2 (128)	15.5 (40)	58.5 (149)	85.0 (216)



New Holland: *the name you can trust.*

When you're looking for new equipment, go with the name you can trust. For over 100 years, New Holland has created innovative, dependable products that have helped generations of customers get the job done right.

We stand by you

Your dealer is committed to helping you make the right choice... from finance and lease options to

after-the-sale service and parts. But our commitment to you doesn't end there. All of us at New Holland, from engineering to service to manufacturing, stand behind each product we make. And we rely on you to tell us how to make them better...so we can make your job easier.

You're in good company

When you purchase equipment from New Holland, you'll be in good company. You'll be joining millions of satisfied customers who have put our name to the test... day in and day out. So find out what they have known for more than a century:

New Holland—it's the name you can trust.



YOUR NEW HOLLAND DEALER



Design, materials and/or specifications are subject to change without notice and without liability therefor. Specifications are applicable to units sold in Canada, the United States, its territories and possessions, and may vary outside these areas.

© 1995 New Holland North America, Inc.



Safety begins with a thorough understanding of the equipment. Always make sure you and your operators read the Operator's Manual before using the equipment. Pay close attention to all safety and operating decals and never operate machinery without all shields, protective devices and structures in place.

31383043 • 49530 • CPC • PRINTED IN U.S.A.