

# NEW ISEKI

Syncromesh Transmission  
Direct Injection Engine

**T5000** 4 wheel drive



The new choice  
in tractors.

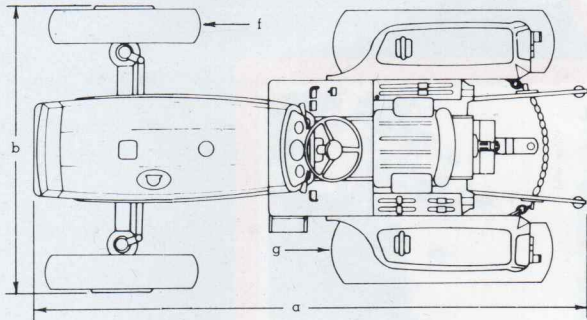
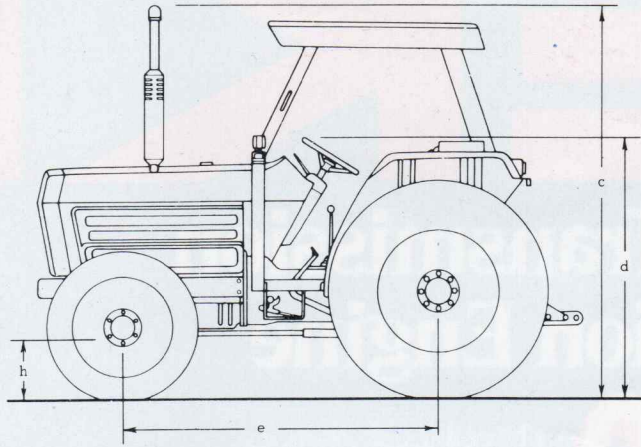


# Specifications

# T5000

4 wheel drive

P.T.O. 36.5 kw 49h.p.



## DIMENSIONS

Overall length: 2490mm  
 Overall width: 1750mm  
 Overall height to muffler top: 2400mm  
 Height to steering wheel: 1630 mm  
 Wheelbase: 2400mm  
 Tread: front 1500mm  
           rear 1410-2020mm  
 Ground clearance min: 310  
 Turning radius: with braking 2800mm  
                   without braking 3500mm

a  
b  
c  
d  
e  
f  
g  
h

## ENGINE

Make & Model: Isuzu 4BC2D  
 Type: Diesel  
 Cylinders-bore x Stroke: 102mm x 100mm  
 Piston displacement: 3268cc  
 Max. output: Fly wheel ID41.7 KW - 56HP  
 Fuel system: Bosch  
 Start motor: 12V Electric  
 Alternator: 12V 35 amp  
 Battery: 2 x 12V 70 AH

## POWER TAKE OFF

Type: Hydraulic multi disc clutch  
 Speeds: 540 + 1000 + ground speed

## WEIGHT

Operating weight W/O operator: 2755kg

## BRAKES

Service brake: Multi disc, oil immersed  
 Parking brake: Mechanical

## STEERING

Type: Integral power steering

## AXLES & WHEELS

Front: Four wheel drive  
 Tyres (standard): front 8.3 x 20 rear 14.9 x 28

## POWER TRAIN

Clutch, type & size: Dry single plate 333mm (13")  
 Transmission: Syncromesh  
 Speeds: forward 16 reverse 4

## SPEED RANGE/MAX. REVS

GEAR	KMH	MPH
Low 1st	0.70	.43
LOW 2nd	1.20	.73
LOW 3rd	1.38	.85
LOW 4th	2.12	1.30
REVERSE	0.92	.57
LOW 1st	1.57	.96
LOW 2nd	2.67	1.65
LOW 3rd	3.22	1.99
LOW 4th	4.79	2.05
REVERSE	2.12	1.30
HIGH 1st	3.68	2.28
HIGH 2nd	6.26	3.88
HIGH 3rd	7.46	4.60
HIGH 4th	11.04	6.80
REVERSE	4.29	2.90
HIGH 1st	5.38	5.19
HIGH 2nd	14.26	8.80
HIGH 3rd	17.02	10.50
HIGH 4th	25.21	15.65
REVERSE	11.04	6.85

Differential: Bevel gear with diflock  
 Final drive: 3 star planetary gears

## Hydraulic System

Type: ISEKI  
 Capacity: 35L common to transmission  
 Pump rated output: 32L/min  
 Set pressure: 170kg/cm<sup>2</sup>  
 Remote outlets: DA/SA STD

## 3 POINT LINKAGE

Type: Category 2 ISEKI hydraulic  
 Control: Hydraulic variable position draft  
 Max. lift at lower link end: 2400kg

## CAPACITY

Fuel tank: 60L  
 Engine: 9L  
 Cooling: 16L  
 Transmission: 31L  
 Final drives: 16L  
 Power steering: 3L  
 Front axle: 15L

## OPTIONS

Cabins  
 Front End Weights  
 Additional Remotes  
 R.O.P.S.

Illustrations, dimensions, weights and data given without obligation and subject to change without notice.

Your Dealer:

# ISEKI

The new choice in tractors.

POWER FARMING WHOLESALE

Master New Zealand Distributors

P.O.Box 6, Morrinsville.