

# ISEKI

The new choice  
in tractors.



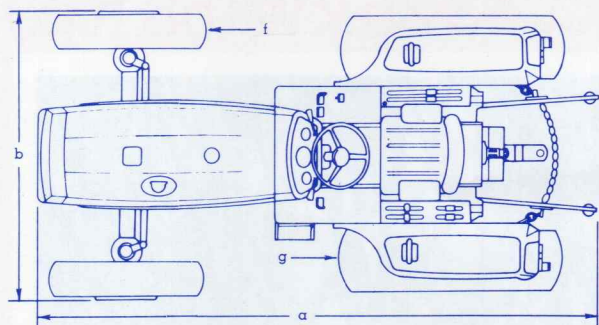
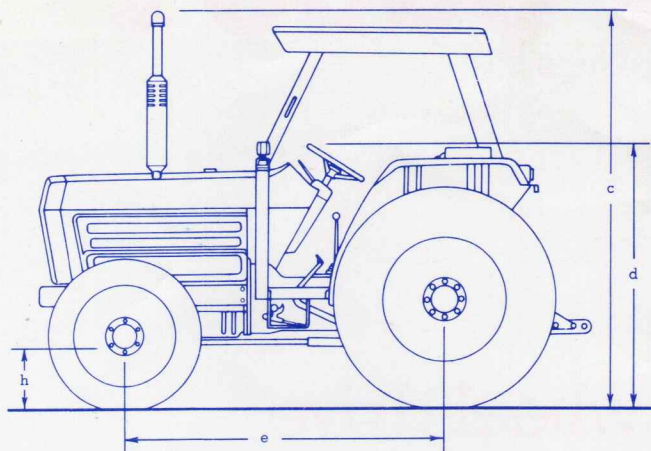
# T 6000 F



4 wheel drive  
P.T.O. 43.25 kw (58 h.p.)



# Specifications:



## Dimensions

Overall length W/O hitch: 3490mm	a
Overall width: 1860mm	b
Overall height to muffler top: 2460mm	c
Height to steering wheel: 660mm	d
Wheelbase: 2040mm	e
Tread: front 1420mm-2020mm	f
rear 1410mm-2019mm	g
Ground clearance under front axle: 355mm	h
Turning radius: with braking 3100mm	
without braking 3800mm	

## Engine

**Make & Model:** Isuzu 4BC2  
**Type:** Diesel  
**Cylinders - bore x stroke:** 4 - 102mm x 100mm  
**Piston displacement:** 3268cc  
**Max. flywheel power:** 48.4 kw (65hp)  
**Fuel system:** Bosch inline  
**Start motor:** 12V Electric  
**Alternator:** 12V 35 amp  
**Battery:** 2 x 12V, 70 AH

## Weight

**Operating weight W/O operator:** 2595kg

## Brakes

**Service brake:** Multi disc, oil immersed  
**Parking brake:** Mechanical

## Steering

**Type:** Integral power steering with adjustable steering wheel

## Axles & Wheels

**Four wheel drive:** ISEKI heavy duty bevel gear reverse Elliot  
**Tyres (standard):** front 9.5 x 22  
 rear 16.9 x 30

Illustrations, dimensions, weights and data given without obligation and subject to change without notice.

# T 6000 F

4 wheel drive

P.T.O. 43.25 kw (58 h.p.)

## Power Train

**Clutch, type & size:** Heavy duty dry single plate 333mm

**Transmission:** Synchromesh

**Speeds:** forward inc. creep gears 16  
reverse 4

	km/hr	L	H
Forwards	1st	0.76	4.0
	2nd	1.3	6.8
	3rd	1.5	8.1
	4th	2.3	12.0
Reverse		1.0	5.2
	1st	1.7	9.1
Forwards	2nd	2.9	15.5
	3rd	3.5	18.5
	4th	5.2	27.4
	Reverse		2.3

**Differential:** Bevel gear with difflock

**Final drive:** 3 star planetary gears

## Power Take Off

**Type:** Independent hydraulic multi disc clutch

**Speeds:** 540/1000 rpm. plus ground speed

**No. of splines:** 6 and 21

## Hydraulic System

**Type:** ISEKI

**Capacity:** 35L

**Pump rated output:** 35 L/min

**Set pressure:** 170kg/cm<sup>2</sup>

**Remote outlets:** 2 double acting

## 3 Point Linkage

**Type:** ISEKI

**Control:** Category 2 hydraulic variable position draft

**Max. lift at lower link end:** 2400kg

## Capacity

**Fuel tank:** 60L

**Engine:** 9L

**Cooling:** 16L

**Transmission:** 35L

**Final drives:** 16L

**Power steering:** 3L

**Front axle:** 15L

## Options

Roller Drawbar

Cabins

Front End Weights

Cast Rear Centres

Rear Wheel Weights

Additional Remotes

R.O.P.S.

External Pre-cleaner

Your Dealer:

# ISEKI