

ISEKI

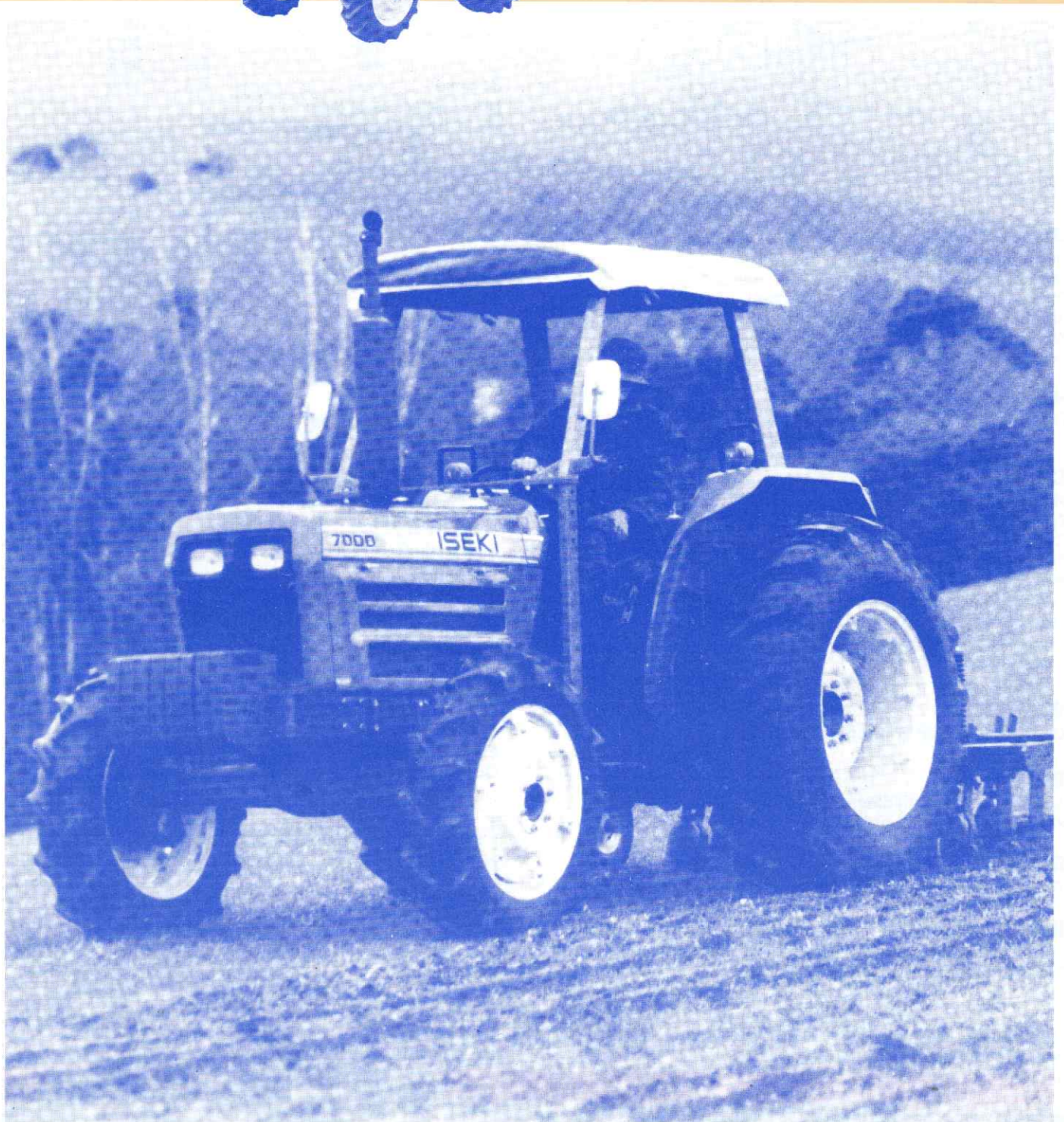
The new choice
in tractors.



T 7000 F



4 wheel drive
P.T.O. 52.19 kw (70 h.p.)

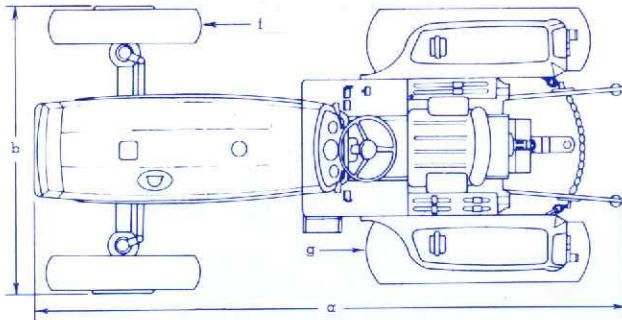
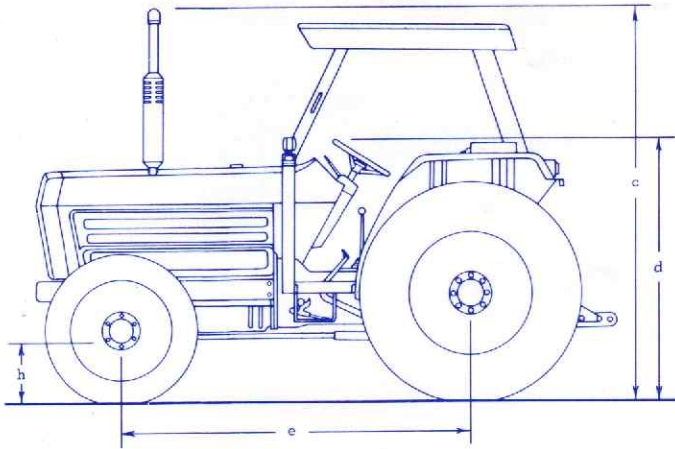


Specifications:

T 7000 F

4 wheel drive

P.T.O. 52.19kw (70 h.p.)



Dimensions

Overall length: 3610 mm
 Overall width: 2025 mm
 Overall height to muffler top: 2520 mm
 Height to steering wheel: 1680 mm
 Wheelbase: 2150 mm
 Tread: front 1590-1490 mm
 rear 1268 - 1810 mm
 Min. ground clearance: 390 mm
 Turning radius: with braking 3200 mm
 without braking 4300 mm

a
b
c
d
e
f
g
h

Engine

Make & Model: ISUZU 4BD1
 Type: DIESEL
 Cylinders - bore x stroke: 4 - 102 mm x 118 mm
 Piston displacement: 3856 mm
 Max. flywheel power: 58.16kw (78 hp)
 Fuel system: Bosch in-line
 Start Motor: 12V Electric
 Alternator: 12V-35 AMP
 Battery: 2 x 12V 70 AH

Weight

Operating weight W/O operator: 2715 kg

Brakes

Service brake: Multi disc, oil immersed
 Parking brake: Mechanical

Steering

Type: Integral power steering adjustable steering wheel

Axles & Wheels

Four wheel drive: Heavy duty bevel gear reverse Elliot
 Tyres (standard): front 11.2 x 24
 rear 18.4 x 30

Illustrations, dimensions, weights and data given without obligation and subject to change without notice.

Power Train

Clutch, type & size: Heavy duty single dry disc 333mm

Transmission: Synchromesh

Speeds: forward inc. creep gears 16
 reverse 4

		km/hr	Low	High
Forwards	1st		0.79	4.2
	2nd		1.3	7.1
	3rd		1.6	8.5
	4th		2.4	12.6
Reverse			1.0	5.5
			1.8	9.5
Forwards	1st		3.1	16.2
	2nd		3.7	19.3
	3rd		5.4	28.7
	4th		2.4	12.5
Reverse			2.4	12.5

Differential: Bevel gear

Final drive: Planetary gear

Power Take Off

Type: Independent hydraulic multi disc clutch

Speeds: 540/1000 rpm plus ground drive

No. of splines: 6 and 21

Hydraulic System

Type: ISEKI

Capacity: 35 L

Pump rated output: 35 L/min

Set pressure: 180 kg/cm²

Remote outlets: 2 double acting

3 Point Linkage

Type: ISEKI

Control: Category 2 hydraulic variable position draft

Max. lift at lower link end: 2400kg

Capacity

Fuel tank: 60 L

Engine: 9 L

Cooling: 14.5 L

Transmission: 38 L

Final drives: 12 L

Power steering: 3 L

Options

Roller Drawbar

Cabins

Front End Weights

Cast Rear Centres

Rear Wheel Weights

Additional Remotes

R.O.P.S.

External Pre-cleaner

Your Dealer:

ISEKI