

# ISEKI

The new choice  
in tractors.



# T 7000 S



2 wheel drive  
P.T.O. 52.19 kw (70 h.p.)

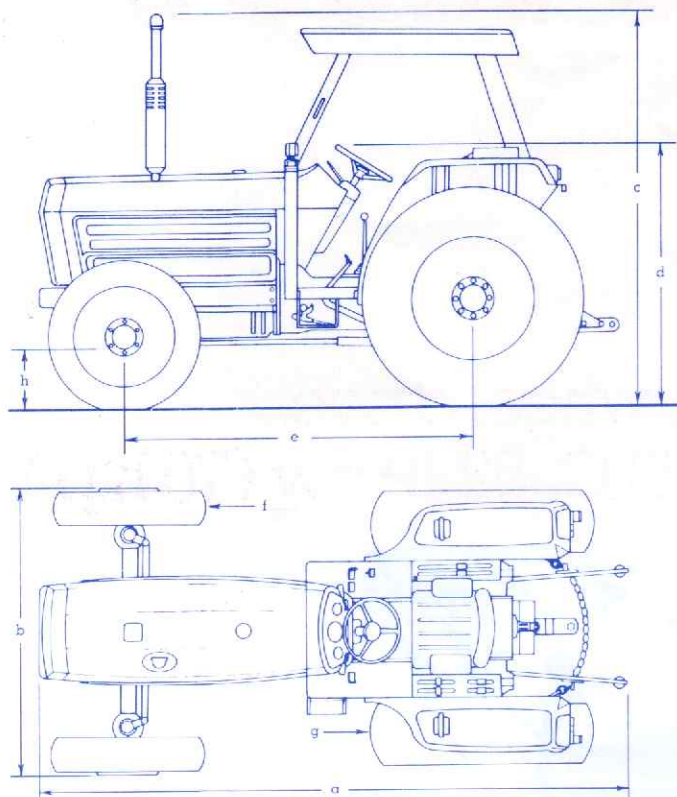


# Specifications:

# T 7000 S

2 wheel drive

P.T.O. 52.19kw (70 h.p.)



## Dimensions

Overall length: 3610 mm  
 Overall width: 2025 mm  
 Overall height to muffler top: 2520 mm  
 Height to steering wheel: 1680 mm  
 Wheelbase: 2150 mm  
 Tread: front 1440 mm - 2040 mm  
           rear 1260 mm - 1810 mm  
 Min. ground clearance: 390 mm  
 Turning radius: with braking 3200 mm  
                   without braking 3700 mm

## Engine

Make & Model: ISUZU 4BD1  
 Type: DIESEL  
 Cylinders - bore x stroke: 4 - 102 mm x 118 mm  
 Piston displacement: 3856 cc  
 Max. flywheel power: 58.16 kw (78 hp)  
 Fuel system: Bosch in-line  
 Start Motor: 12V Electric  
 Alternator: 12V-35 AMP  
 Battery: 2 x 12V 70 A/H

## Weight

Operating weight W/O operator: 2460 kg

## Brakes

Service brake: Multi disc (oil immersed)  
 Parking brake: Mechanical

## Steering

Type: Integral power steering adjustable steering wheel

## Axles & Wheels

Rear: Central axle  
 Front: Heavy duty centre pin telescopic  
 Tyres (standard): front 7.50 x 16  
                           rear 16.9 x 14.30

Illustrations, dimensions, weights and data given without obligation and subject to change without notice.

## Power Train

Clutch, type & size: Dry single 13"

Transmission: Synchronesh

Speeds: forward inc. creep gears 16  
 reverse 4

		km/hr	Low	High
Forwards	1st		0.79	4.2
	2nd		1.3	7.1
	3rd		1.6	8.5
	4th		2.4	12.6
Reverse			1.0	5.5
Forwards	1st		1.8	9.5
	2nd		3.1	16.2
	3rd		3.7	19.3
	4th		5.4	28.7
Reverse			2.4	12.5

Differential: Bevel gear

Final drive: Planetary gear with diff. lock

## Power Take Off

Type: Independent hydraulic multi disc clutch

Speeds: 540/1000 rpm plus ground drive

No. of splines: 6 and 21

## Hydraulic System

Type: ISEKI

Capacity: 35 L

Pump rated output: 35 L/min

Set pressure: 180 kg/cm<sup>2</sup>

Remote outlets: 2 double acting

## 3 Point Linkage

Type: ISEKI

Control: Category 2 hydraulic variable position draft

Max. lift lower link end: 2400 kg

## Capacity

Fuel tank: 60 L

Engine: 9 L

Cooling: 14.5 L

Transmission: 38 L

Final drives: 12 L

Power steering: 3 L

## Options

Cabins  
 Roller Drawbar  
 Front End Weights  
 Cast Rear Centres

Rear Wheel Weights  
 Additional Remotes  
 R.O.P.S.  
 External Pre-cleaner

Your Dealer:

# ISEKI