

ISEKI

The new choice
in tractors.



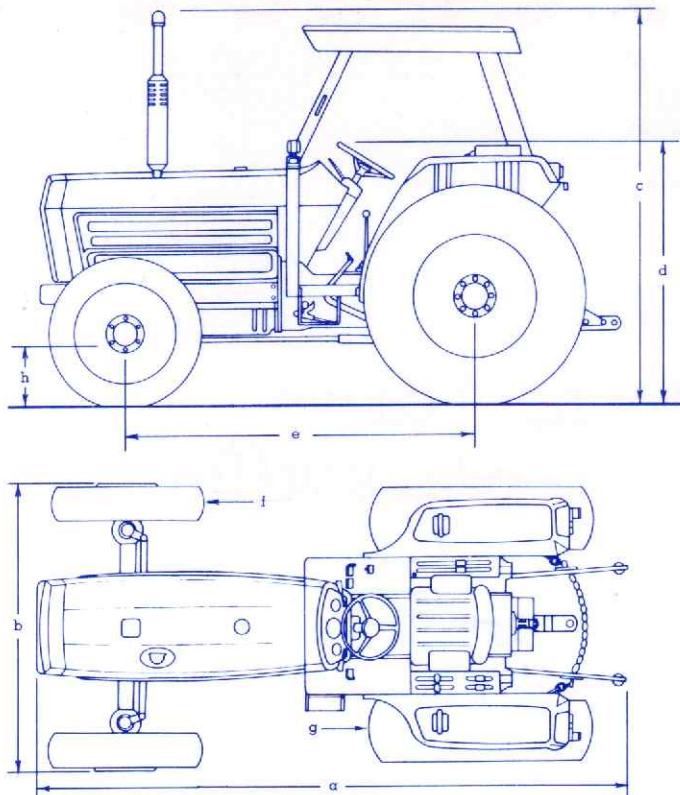
T 9000 F



4 wheel drive
P.T.O. 67-11 kw (90 h.p.)



Specifications:



Dimensions

Overall length W/O hitch: 3915mm	a
Overall width: 2025mm	b
Overall height to muffler top: 2560mm	c
Height to steering wheel: 1745mm	d
Wheelbase: 2300mm	e
Tread: front 1490mm -1590mm	f
rear 1300mm -1900mm	g
Min. ground clearance: 410mm	h
Turning radius: with braking 3300mm	
without braking 3800mm	

Engine

Make & Model: Isuzu 6BB1
Type: Diesel
Cylinders - bore x stroke: 6 - 102mm x 110mm
Piston displacement: 5393cc
Max. output: 70.8kw (95hp)
Max. torque: 34 kg-m /1400 rpm
Fuel system: Bosch inline
Start motor: 12V Electric
Alternator: 12V 35 amp
Battery: 2 x 12V 70AH

Weight

Operating weight W/O operator: 3065kg

Brakes

Service brake: Multi disc, oil immersed
Parking brake: Mechanical

Steering

Type: Integral power steering adjustable steering wheel

Axles & Wheels

Four wheel drive: ISEKI heavy duty bevel gear reverse Elliot
Tyres (standard): front 11.2 x 24
 rear 16.9 x 34 18.4 x 34 (optional)

Illustrations, dimensions, weights and data given without obligation and subject to change without notice.

T 9000 F

4 wheel drive

P.T.O. 67-11 kw (90 h.p.)

Power Train

Clutch, type & size: Heavy duty single dry disc 333mm

Transmission: Synchromesh

Speeds: forward inc. creep gears 16
reverse 4

	km/hr	L	H
Forwards	1st	0.72	3.8
	2nd	1.2	6.5
	3rd	1.5	7.8
	4th	2.2	11.5
Reverse		0.88	4.6
Forwards	1st	1.7	8.8
	2nd	2.8	14.8
	3rd	3.4	17.7
	4th	5.0	26.3
Reverse		2.2	11.5

Differential: Bevel gear with difflock

Final drive: 3 star planetary gears

Power Take Off

Type: Independent hydraulic multi disc clutch

Speeds: 540/1000 rpm plus ground drive

No. of splines: 6 and 21

Hydraulic System

Type: ISEKI

Capacity: Common to transmission

Pump rated output: 35L/min

Set pressure: 180kg/cm²

Remote outlets: 2 double acting

3 Point Linkage

Type: ISEKI

Control: Category 2 hydraulic variable position draft

Max. lift long link end: 3000kg

Capacity

Fuel tank: 80L

Engine: 16L

Cooling: 20L

Transmission: 38 L

Final drives: 16L

Power steering: 3L

Front axle: 16L

Options

Roller Drawbar

Cabins

Front End Weights

Cast Rear Centres

Rear Wheel Weights

Additional Remotes

R.O.P.S.

External Pre-cleaner

Your Dealer:

ISEKI