



MODEL 1056

# Tractor

---

106 S.A.E. gross engine hp (78 kW)

---

105 D.I.N. ps (77 kW)

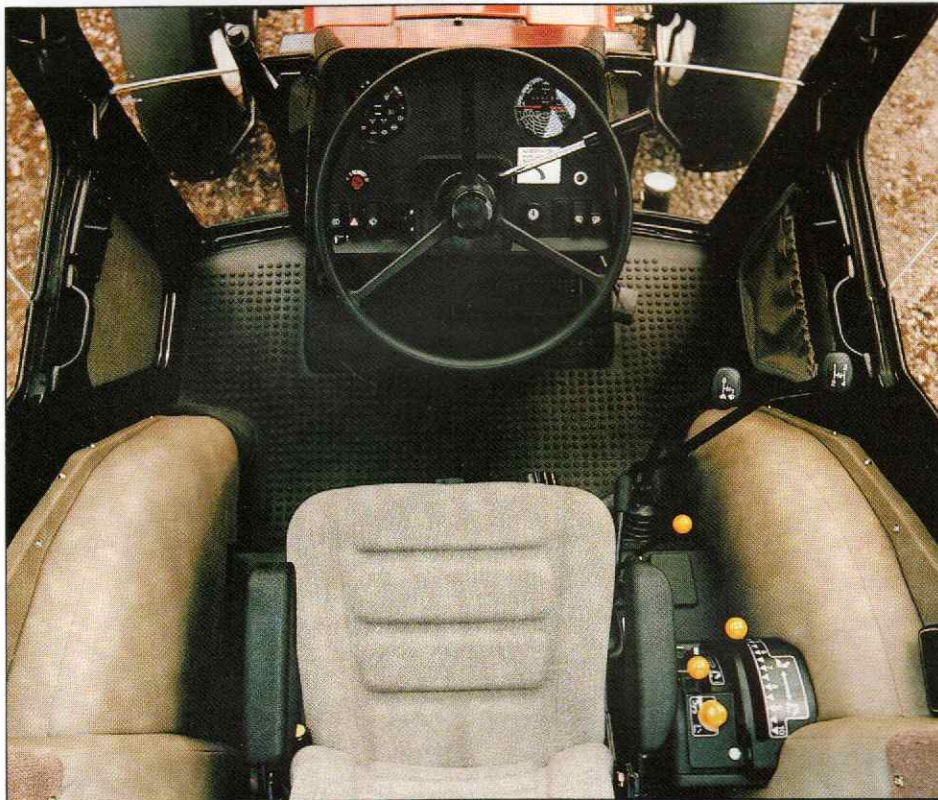
---

98 PTO hp (72 kW)

---



# 1056 BASIC TRACTOR



## MODEL

1056  
1056XL De Luxe Cab

## ENGINE

Type	Four stroke direct injection, water cooled diesel
Power - S.A.E.	106hp, 78kW
DIN NET	105ps, 77kW at 2300 rev/min
Max. Torque	378 Nm at 1400 rev/min
Torque at Rated Speed	321 Nm
Fuel at max. power	242g/kWh
Bore x Stroke	98.4 x 128.5mm
No. of cylinders	6
Capacity	5867cc
Compression Ratio	16:1
Governed Range	750 - 2500 rev/min

## CLUTCH

Type	Double dry plate for transmission and PTO
Diameter	310mm

## TRANSMISSION

Type	8 forward, 4 reverse, synchronesh
------	-----------------------------------

### Ground Speed on Standard Tyres (2WD)

		km/h
Min. speed at 540 rev/min PTO		1.9
Low	1	2.2
	2	3.0
	3	4.6
	4	7.0
High	1	8.4
	2	11.5
	3	17.9
	4	30.0
Reverse	1	3.2
	2	4.4
	3	6.8
	4	10.3

Centre Mechanical Front Drive Option on-the-go engagement through multi-plate clutch. Planetary reduction in hubs

## POWER TAKE OFF

Type	Two Speed Independent
Max. Power	98hp, 72.2kW
Power at 540 rev/min PTO	90hp
Power at 1000 rev/min PTO	91hp
No. of splines	6 and 21
Engine revs at 540 rev/min PTO	1925 rev/min
Engine revs at 1000 rev/min PTO	2000
Clutch type	Independent

## HYDRAULIC SYSTEM

Max. Pressure	2346lb/in <sup>2</sup> 165kg/cm <sup>2</sup>
Flow	9.2 gal/min 42 lit/mi
Power	12.9hp, 9.5kW
Linkage Lift, links horizontal	9531lb, 4322kg
Optional Assister Sensing	11025lb, 5000kg
Linkage Category	Lower Link 2

## DRAWBAR

Type	Swinging drawbar with clevis
Max. Pull - 4WD	18116lb, 8217kg
Max. Power - 4WD	84.8hp, 62.4 kW

## BRAKES

Foot	Hydraulic Disc. Power Assisted
Diameter	10in, 25.4cm
Hand	Mechanical band brake

## STEERING

Type	Hydrostatic
Turning radius	
- with brakes	173in, 440cm
- without brakes	199in, 505cm
- 4WD with brakes	177in, 450cm
- 4WD without brakes	199in, 505cm

## ELECTRICAL

Battery	12v 110Ah
Alternator	55 Amp

## CAPACITIES

Fuel Tank	30.8 gal, 140 lit
Cooling System	5.3 gal, 24 lit
Engine	2.75 gal, 12.5 lit
Transmission Case	
- 2WD	9.0 gal, 41 lit
- 4WD	9.5 gal, 43 lit
Hydraulic Reservoir	7.5 gal, 34 lit
- XL	10.6 gal, 48 lit

## DIMENSIONS

A. Wheelbase - 2WD	103.5 in, 263 cm
- 4WD	103.9 in, 264 cm
Width, min. track	91.0 in, 230 cm
B. Height Non Cab	
Steering wheel	80in, 203 cm
C. XL Cab	109 in, 278 cm
Front track - 2WD	64-76 in, 163-193 cm
- 4WD	68-76 in, 172-193 cm
Rear track	67-87 in, 170-220 cm
D. Ground clearance Transmission	15.7 in, 40 cm

## WEIGHTS - BASIC TRACTOR

2WD Front	3285 lb, 1490 kg
Rear	5291 lb, 2400 kg
Total	8576 lb, 3890 kg
With XL Cab add	794 lb, 360 kg
With 4WD add	1036 lb, 470 kg

## WHEELS & TYRES, STANDARD

2WD Front	W5.50-18 with 7.50-18.6 ply F2
Rear	DW16-34 with 18.4 R34 8 ply R1
4WD Front	W10-28 with 11.2 R28 6 ply R1
Rear	DW16-34 with 18.4 R34 8 ply R1

## STANDARD EQUIPMENT

### Accelerator

Hand and foot throttles

### Air Intake

Dry type with safety element and service indicator

### Alternator

55 Amp

### Anti-freeze solution

### Axle

Front, straight, adjustable

### Battery

12 volts standard duty

### Brakes

Hydraulic internal wet disc

### Clutch

Double dry plate for transmission and PTO

### Differential Lock

Foot operated

### Drawbar

Swinging type with clevis

### Engine

6 cylinder direct injection

### Fuel Tank

Under floor

### Hitch

3 point category 2, fixed lower link with telescopic stabilisers

### Hydraulics

Independent, sens-o-draulic draft and position control

### Instrumentation

Tachometer, fuel and water temperature gauges, warning lights for engine oil pressure, battery discharge, headlamp beam, and transmission oil

### Lighting

2 head, side, tail

### Muffler

Vertical

### Power Take Off

Two speed independent

### Seat

Deluxe with fore-aft and height adjustment

### Steering

Hydrostatic power

### Transmission

8 forward, 4 reverse, synchromesh, 30 kph  
Range – high, low and reverse, synchromesh  
Speed – 4 speed, synchromesh

## OPTIONAL EQUIPMENT

### Assister Ram

### Axle

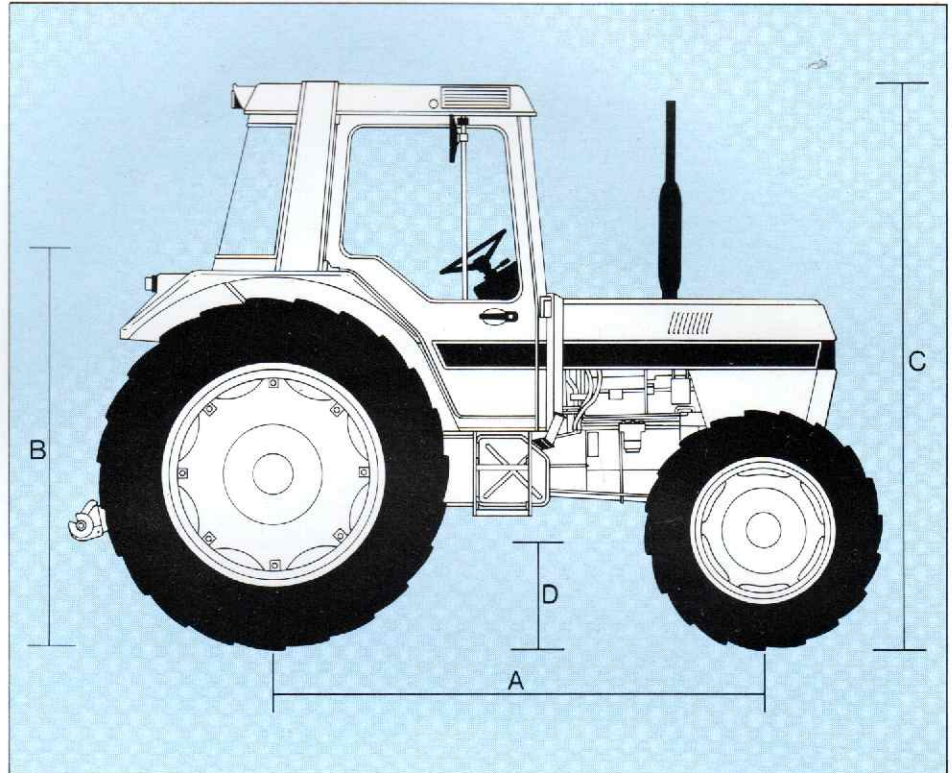
Non adjustable light duty, adjustable light duty

### Battery

Light – Light duty, heavy duty

### Brakes

Hydraulic trailer brakes  
Pneumatic trailer brakes



### Cab

XL Cab, luxury flat deck control centre with roof hatch, sound absorbing upholstery, deluxe heater demister, sun visor, tool box with passenger seat, deluxe suspension seat with cloth upholstery, seat height, weight, fore and aft adjustment with arm rests.  
Air conditioning

### Drawbar

Short

### Fenders

Front, Rear, crown type. Rubber extensions.

### Hitches

Trailer hitch, height adjustable  
3 point category 2 with quick couplers

### Hydraulics

Additional oil tank

### Hydraulic valves

Non Cab – Double or single acting, up to 2 may be fitted  
XL Cab – Double/single acting, up to 3 may be fitted

### Lighting

Non Cab – Direction indicators, warning lights  
Working lights  
XL Cab – Working lights, 2 front  
Working light, 1 rear

### Power Take-Off

Two speed with ground speed  
Two-speed shiftable

### Seat

Super deluxe, cloth covered  
Super comfort with side tilt, cloth covered  
XL Cab – As standard with reclining back rest, head rest, lumbar support  
As above with air suspension, swivel and automatic weight adjustment

### Transmission

16 forward, 8 reverse synchromesh with creep speed  
16 forward, 8 reverse non-synchromesh with super creep speed  
Centre mechanical front drive with full drive shaft cover and dual spider steering joints  
Optional limited slip differential

### Weights

Inner front weight  
Suitcase weights  
Centre part of three suitcase weights with draw clevis  
Rear wheel weights

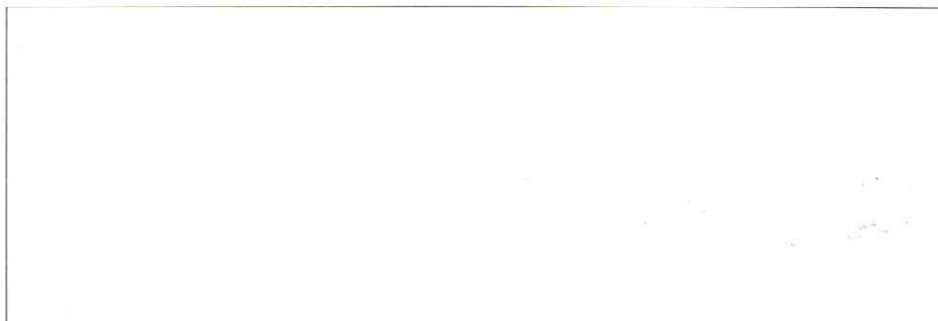
### Wheels and Tyres

Refer to price list



This literature has been published for worldwide circulation. As availability of equipment builds vary according to the country in which the equipment is to be used, the illustrations and text may include optional equipment and accessories and may not include all standard equipment. Your Case International Distributor/Dealer will be able to give you details of the products and their specifications available in your area.

The company's policy is one of continuous improvement and development. Therefore specifications are subject to change without notice. Whilst every effort is made to uphold accuracy within literature, the company accepts no responsibility for discrepancies which may occur between the specifications of its machines and the descriptions thereof contained in its publications.



Published by:  
**JI Case Europe**  
Case House, PO Box 89  
85/89 High Street, Walton-on-Thames  
Surrey KT12 1DL, England

**JI Case**  
A Tenneco Company

