



MODEL 1455
145 DIN HP





MODEL

1455
1455XL De Luxe Cab

ENGINE

Type	Four stroke direct injection, water cooled diesel
Power - S.A.E. DIN NET	145hp, 107kW at 2200 rev/min
Max. Torque	532 Nm at 1450 rev/min
Torque at Rated Speed	466 Nm
Fuel at max. power	239g/kWh
Bore x Stroke	100.0 x 139.7mm
No. of cylinders	6
Capacity	6586cc
Compression Ratio	15:1
Governed Range	730 - 2430 rev/min

CLUTCH

Type	Double dry plate for transmission and PTO
Diameter	355mm

TRANSMISSION

Type 12 forward, 5 reverse, synchronesh

Ground Speed on Standard Tyres (4WD)

		km/h
Min. speed at 540 rev/min PTO		2.5
Low	1	2.7
	2	4.2
	3	6.6
	4	10.0
	5	15.6
	6	23.7
High	1	3.3
	2	5.2
	3	8.2
	4	12.4
	5	19.3
	6	29.4
Reverse	1	4.2
	2	6.6
	3	10.3
	4	15.7
	5	24.4

Four wheel drive

On-the-go engagement through multi-plate clutch.
Planetary reduction in hubs
Limited slip differential

POWER TAKE OFF

Type	Two Speed Independent
Max. Power	137.3hp, 101kW
Power at 540 rev/min PTO	136hp
Power at 1000 rev/min PTO	137hp
No. of splines	21
Engine revs at 540 rev/min PTO	2118
Engine revs at 1000 rev/min PTO	2136
Clutch type	Independent

HYDRAULIC SYSTEM

Max. Pressure	2488lb/in ² 175kg/cm ²
Flow	11 gal/min 50 lit/min
Power	20.2hp, 14.9kW
Linkage Lift, links horizontal assister	12713lb, 5767kg
Sensing	Lower Link
Linkage Category	2/3

DRAWBAR

Type	Swinging drawbar with clevis
Max. Pull - 4WD	20500lb, 9299kg
Max. Power - 4WD	119hp, 87.9kW

BRAKES

Foot	Hydraulic Drum Self adjusting
Diameter	10.6in, 27cm
Hand	Mechanical band brake

STEERING

Type	Hydrostatic
Turning radius	
4WD with brakes	193in, 490cm
4WD without brakes	224in, 570cm

ELECTRICAL

Battery	12v 143Ah
Alternator	55 Amp

CAPACITIES

Fuel Tank - XL Cab	44.0 gal, 200 lit
Cooling System	6.9 gal, 31.4 lit
Engine Sump	2.7 gal, 12.5 lit
Transmission Case	8.8 gal, 40 lit

DIMENSIONS

A. Wheelbase - 4WD	110 in, 280 cm
Width, min. track	93 in, 237 cm
B. Height Non Cab	
Steering wheel	86.6 in, 220 cm
C. XL Cab	113 in, 287 cm
Front track - 4WD	74-79 in, 188-200 cm
Rear track	72-83 in, 184-210 cm
D. Ground clearance	
Drawbar	15.4 in, 39 cm

WEIGHTS - BASIC TRACTOR

XL Cab 4WD	
Front	4474lb, 2210 kg
Rear	7025lb, 3470 kg
Total	11499lb, 5680 kg

WHEELS & TYRES, STANDARD

4WD Front	W15L-28 with 16.93.6 R28.8 ply R1
Rear	W18L-38 with 20.8 R28.8 ply R1

STANDARD EQUIPMENT

Accelerator

Hand and foot throttles

Air Intake

Dry type with safety element and service indicator
Turbocharger

Alternator

55 Amp

Anti-freeze solution

Axle

Front, four wheel drive with limited slip differential

Battery

12 volts standard duty

Brakes

Hydraulic drum

Clutch

Double dry plate for transmission and PTO

Differential Lock

Foot operated, synchronised

Drawbar

Swinging type with clevis

Engine

Under direct injection, turbocharged

Fuel Tank

Under floor

Hitch

3 point category 2/3 with quick coupler, telescopic stabilisers

Hydraulics

Independent, exact hydraulics with draft and position control

Hydraulic Valve

One double acting with break-away coupling

Instrumentation

Tachometer, fuel and water temperature gauges, warning lights for engine oil pressure, battery discharge, headlamp beam and transmission oil

Lighting

2 head, side and tail

Muffler

Vertical with rain cap

Power Take Off

Single shaft, two speed independent

Seat

Deluxe with fore-aft and height adjustment

Steering

Hydrostatic power

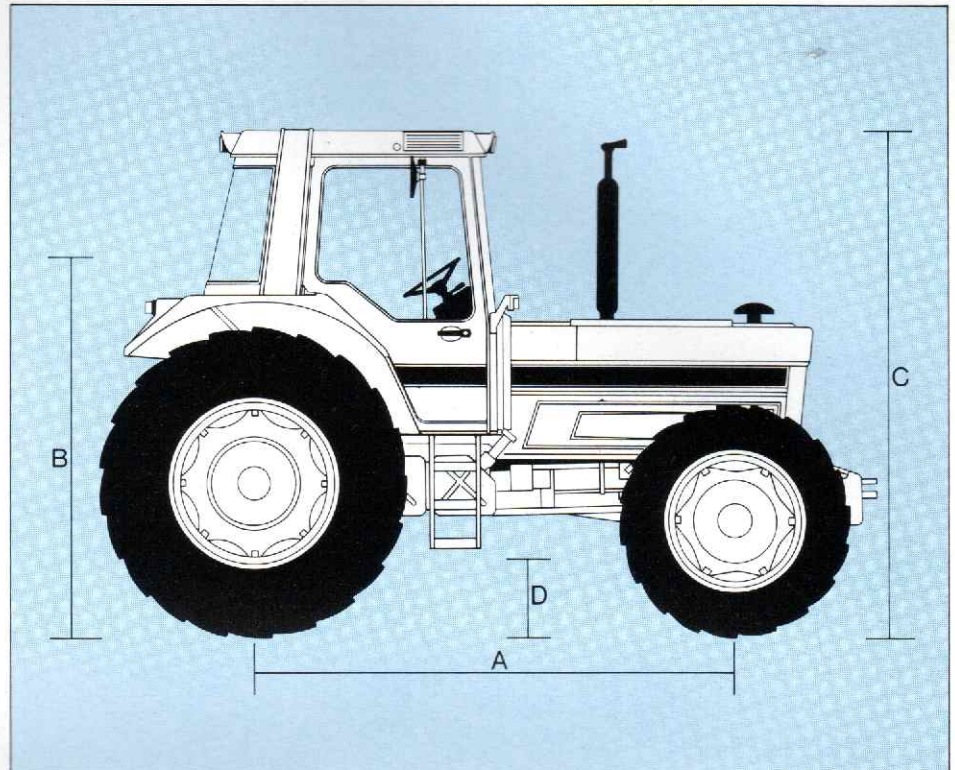
Transmission

Forward, 5 reverse

Range – high, low and reverse, synchromesh
Speed – 6 speed, synchromesh

Weights

Front bolster weight with integral draw clevis
17 suitcase weights



OPTIONAL EQUIPMENT

Assister Ram

50mm diameter in lieu of 70mm diameter

Battery

Light duty

Brakes

Disc brake for fwd axle
Hydraulic trailer brakes
Pneumatic trailer brakes

Cab

Safety frame with roof
XL Cab, luxury flat deck control centre with roof hatch, sound absorbing upholstery, deluxe heater demister, sun visor, tool box with passenger seat, deluxe suspension seat with height, weight, fore and aft adjustment, folding and adjusting arm rests.
Air conditioning

Drawbar

Short

Fenders

Front, Rear, crown type. Rubber extensions

Hitches

Trailer hitch, height adjustable

Hydraulic valves

Non Cab – Double or single acting, up to 3 may be fitted

XL Cab – Double/single acting, up to 3 may be fitted

Lighting

Non Cab – Direction indicators, warning lights

Working lights

XL Cab – Working lights, 2 front

Working lights, 1 rear

Seat

Super deluxe, cloth covered

Super comfort with side tilt, cloth covered

XL Cab – As standard with reclining back rest, head rest, lumbar support

As above with air suspension, swivel and automatic weight adjustment

Transmission

Case IH Hydropower Turboclutch
20 forward, 9 reverse synchromesh with creep speed

Four wheel drive, side drive with on-the-go engagement planetary hub reduction and limited slip differential

Weights

Suitcase weights

Centre part of three suitcase weights with draw clevis

Rear wheel weights

Wheels and Tyres

Refer to price list



This literature has been published for worldwide circulation. As availability of equipment builds vary according to the country in which the equipment is to be used, the illustrations and text may include optional equipment and accessories and may not include all standard equipment. Your Case International Distributor/Dealer will be able to give you details of the products and their specifications available in your area.

The company's policy is one of continuous improvement and development. Therefore specifications are subject to change without notice. Whilst every effort is made to uphold accuracy within literature, the company accepts no responsibility for discrepancies which may occur between the specifications of its machines and the descriptions thereof contained in its publications.



Published by:
JI Case Europe
Case House, PO Box 89
85/89 High Street, Walton-on-Thames
Surrey KT12 1DL, England

JI Case
A Tenneco Company

