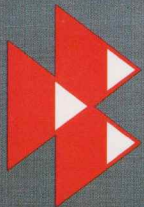


# MF<sup>®</sup> 7500

## Articulated Wheel Loader



MASSEY FERGUSON<sup>®</sup>

# MASSEY FERGUSON<sup>®</sup>



## You Name It, and the MF 7500 Articulated Wheel Loader Can Handle It With Ease



On the farm or job site. At the nursery or rental yard. In the warehouse or poultry house. The MF 7500 has what it takes to change the way you look at moving just about anything—whether it's bulk, bagged, baled, or stacked. Because this solid machine is built for an almost unlimited list of bulk material handling jobs in even the most limited spaces—all with unsurpassed ease, speed, and efficiency.

### Make the Move to Strength and Agility

The powerful, stable MF 7500 combines a 2,420-pound operating capacity with the maneuverability and compact design to work in tight quarters, indoors or out. So you can say goodbye to ugly skid-steer loader marks on concrete floors and pads, stop worrying about torn-up turf, and look forward to getting more done faster.

### Highly Capable, Totally Uncomplicated

Built heavy duty throughout, the 8,160-pound MF 7500 is rugged enough to cope with tough jobs and rough treatment. At the same time, it delivers the ultimate in smooth performance.

Hydrostatic 4-wheel drive transfers maximum power from the turbocharged diesel engine to the wheels and allows infinite speed control, with a maximum of 10 mph in forward or reverse. The MF 7500 can raise its maximum load to 126" in less than 7 seconds. And nothing could be easier to operate. Highly responsive steering and stopping are virtually effortless. A clearly marked bucket/boom control on the left of the steering column makes forward/reverse shuttling a breeze. Bucket/boom control is a simple, right-hand operation. And since full-width bucket visibility is assured, anyone can operate the MF 7500 with confidence.



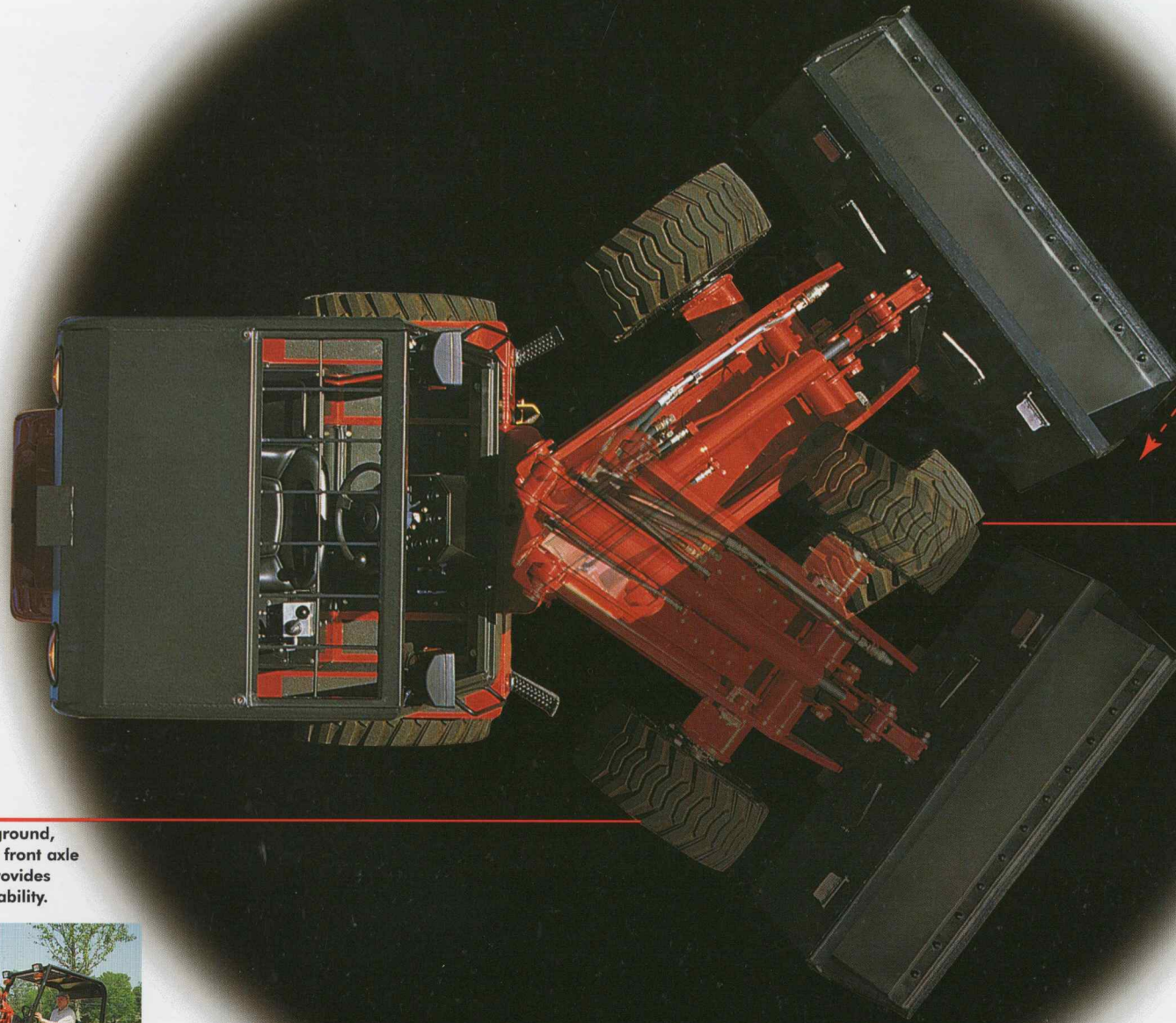
With 99" of clearance at full height with the bucket dumped, the MF 7500 isn't intimidated by tall truck sides. Lower the bucket, and the MF 7500 is back down to a nimble overall height of just under 8 feet.

Options like pallet forks that can handle 1,575-pound rated loads while reaching a generous 51" make the MF 7500 amazingly versatile.





Beyond putting you in the right position to get the job done, articulation allows a turning clearance radius as tight as 132".



The MF 7500 is built around a heavy-duty, two-piece frame that articulates a total of 80 degrees from left to right.

On uneven ground, 8 degrees of front axle oscillation provides additional stability.



# The MF 7500 Articulated Wheel Loader Is Loaded With Productive Ideas

**Comfort Control Seat** with folding armrests helps keep the operator fresh and productive with fore-aft, weight, and back-tilt adjustments. The seat back also has a pocket to store your operator's manual.



**Heavy-Duty 1" Thick Parallel Lift Arms** have the muscle to match the MF 7500's SAE-rated operating load of 2,420 pounds and its full-turn tipping load rating of 4,840 pounds. The parallel design adds serious strength—enough, in fact, for below-grade work with the general purpose bucket.



**3½" x 23½" Lift Cylinders** with NitroSteel® rods are heavy duty to match the rest of the MF 7500 when it comes to strength and durability. NitroSteel lets you work in the most corrosive conditions without cylinder rod pitting.

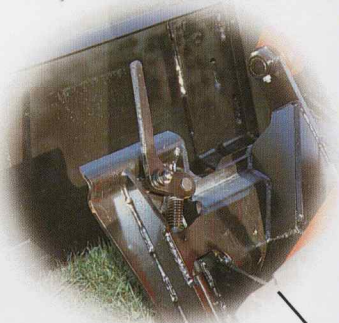
**Hand Throttle Control** on the right puts you in charge of engine speed, as well as ground speed, or when increased or decreased hydrostatic pump flow is required.



**Electric Shuttle Shift Lever** attached to the left side of the steering column gives you fingertip hydrostatic control for smooth back-and-forth direction changes that save time.



**Parking Brake Rocker Switch** activates a built-in hydro/electric mechanism on the MF 7500's rear wheel power hubs for an extra measure of security and simplicity.



**Universal Quick Coupler (UQC) Attachment System** makes changing every attachment quick and easy. Simple, secure latches eliminate the need for wrenches or even a second pair of hands. This system is SAE compatible and designed to accept practically any skid-steer loader attachment from augers, buckets, grapples, and pallet forks to hydraulically powered tools and leveling blades.

**Tire Options** include calcium chloride-filled tires that add plenty of additional weight. These combine with constant 4-wheel drive for excellent traction on smooth or slick surfaces. Puncture-resistant urethane-filled tires are also available.



#### Two Halogen Work Lights

can stretch the productive workday past dark or allow for between-job transport.

**4-Post ROPS Enclosure** offers operator protection and a good, clear view of buckets or attachments, whether they're loading, carrying, or dumping a load. Essential rear visibility is excellent too.

#### Optional Cab and Heater

provide additional protection during inclement weather conditions. Includes a heater, defroster, front wiper, integral ROPS, standard light package, and sound insulation.



#### Rear Floodlight

keeps visibility—and safety—high in night or dim indoor operations.



#### Rear Exhaust Grille

with sideways deflection keeps dust to a minimum and helps prevent the scattering of bulk materials like lime or mulch. The grille adds a hefty 214 pounds to the superb balance of the MF 7500.



#### Rear Engine

is an 82-hp, 4-cylinder Deutz turbocharged diesel. This low emission, fuel-efficient, oil-cooled 178-cu.-in. (2.9 L) power plant puts out 176 ft. lb. of torque at 2800 rpm. Its position helps counterbalance front loads while minimizing noise levels and increasing visibility for the operator.

#### Fuel and Oil Tanks

contribute to the MF 7500's stability under heavy loads and are easy to reach from the ground. The fuel tank's 16-gallon capacity can get your loader through long hours of nonstop work.

#### Single Foot Pedal

gives you infinite control of forward or reverse wheel speeds between 0 and 10 mph without shifting. With automatic braking, taking your foot off the pedal is all it takes to stop the MF 7500.

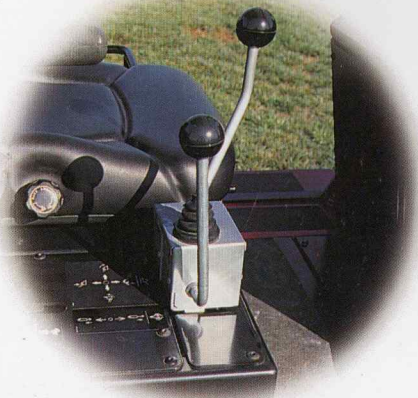


#### Hydraulic Lift Control Joystick

in a handy right-side location makes precise bucket and boom control a breeze. One hand is all you need to lift, lower, curl, or dump.

#### Remote Auxiliary Hydraulic Control Lever

right next to the joystick delivers up to 19-gpm flow for powered attachments.



**Two Solid Fender Counterweights**, each weighing 402 pounds, make a major contribution to the MF 7500's lift capacity, stability, smooth handling, and strength.



## The Only Thing Easier Than Running an MF 7500 Is Keeping It Going Strong



While the engine cover is removed for daily inspection, the air intake and filter are easily serviced to assure long life.

If you like the operating simplicity of the MF 7500, you'll love its no-sweat approach to service and maintenance, plus its anything-goes design. Everything about it is built smart and rugged to keep you up and running. Just look at the topside oil fill and 16-gallon fuel tank, and you will see that easy access is the name of the game.

Nothing could be simpler or faster than popping off the lightweight rear engine hood. It gives you convenient, from-the-top access for all day-to-day and periodic engine service and maintenance. The oil-cooled engine means no water or antifreeze to worry about. Extra-efficient oil cooling also eliminates the risk of water or antifreeze leaks around corrosive materials such as fertilizer. And with 500



hours recommended between oil and filter changes, your MF 7500 can spend more time working for you with less time down for service.

Thanks to a versatile selection of buckets, from the high-volume 84"-wide light material bucket with 45-cu.-ft. capacity to a 63"-wide bucket that can squeeze into narrow openings, almost nothing can stop an MF 7500 from getting the job done. Reversible 9-bolt wheels reduce the MF 7500's overall width from 70" to a trim 60", adding to its ability to handle all kinds of tight spots.



# MF 7500 Dimensions and Specifications

## ENGINE

Model	Deutz BF4M 1011F
Type	4-cylinder diesel
Horsepower	82 @ 2,800 rpm
Displacement: in <sup>3</sup> (L)	178 (2.9)
Aspiration	Turbocharged
Fuel system	Direct fuel injection
Fuel capacity: gal (L)	16 (60.6)
Starting aid	Oil pan heater

## HYDRAULICS

Drive system type	Hydrostatic dual circuits—left front & right rear, right front & left rear drive tires
-------------------	--

Drive train	Full-time, four-wheel drive
-------------	-----------------------------

Hydrostatic pump	Engine driven variable displacement axial piston
------------------	--

Drive motors	Heavy-duty, fixed displacement axial piston
--------------	---

Drive hubs	Heavy-duty planetary gears
------------	----------------------------

Parking brake	Hydraulic—rear drive wheel hubs
---------------	---------------------------------

Auxiliary hydraulics	19 gpm gear pump
Steering	Articulated—hydraulic orbit control valve—single cylinder

Hydro. trans. filter	10 micron absolute
Auxiliary hyd. filter	20 micron absolute

Hydraulic. reservoir cap.: gal (L)	15.25 (57.7)
------------------------------------	--------------

## ELECTRICAL

Battery: volts/CCA	12/850
Alternator: amps	55
Lights	2 halogen work, 2 clearance, 1 rear work flood, 4 warning flashers

## LIFTING\*

Tipping load, full turn w/bucket: lb (kg)	4,840 (2,195)
w/forks: lb (kg)	3,150 (1,429)
Operating load cap. w/bucket: lb (kg)	2,420 (1,098)
w/forks: lb (kg)	1,575 (714)

## OPERATIONAL

Operating weight: lb (kg)	8,160 (3,701)
Travel speed, forward and reverse: mph (km/h)	0-10 (0-16)

## TIRE OPTIONS

31x15.5-15, (NHS) 8 ply-R1, calcium chloride filled	
31x15.5-15, (NHS) 8 ply-R1, urethane filled, puncture proof	
30.5x12.5-16.5, (NHS) 8 ply-R4, calcium chloride filled	

## OPERATOR'S AREA

ROPS	4-post, SAE ROPS certified
Seat	Adj. suspension w/armrests and seatbelts
Instrumentation	Voltmeter, engine oil pressure, engine oil temperature, hour meter, fuel gauge

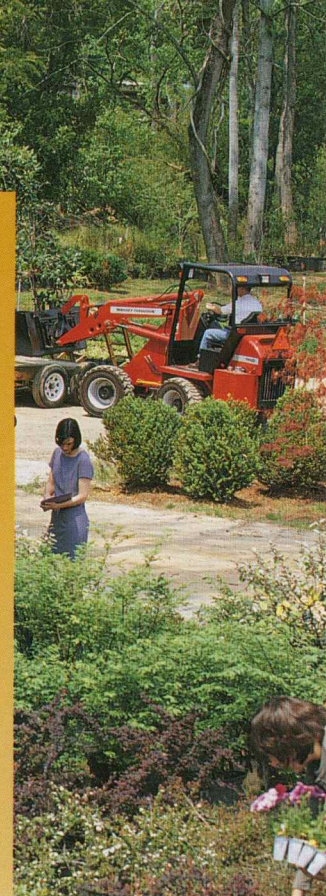
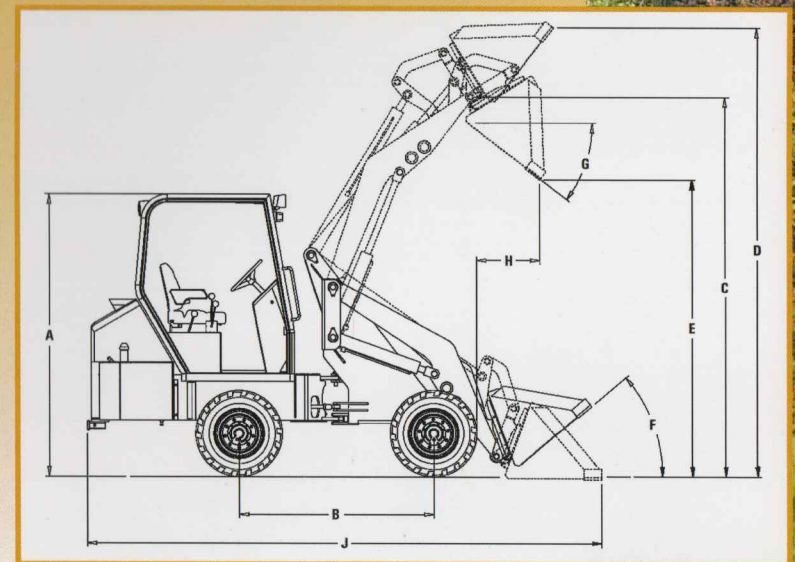
## DIMENSIONS\*

(A) Overall height: in (mm)	94 (2,388)
(B) Wheel base: in (mm)	64.5 (1,638)
(C) Height to hinge pin: in (mm)	126.4 (3,211)
(D) Overall operating height: in (mm)	150 (3,810)
(E) Dump height: in (mm)	99 (2,515)
(F) Bucket rollback, at ground	40°
(G) Dump angle, fully raised	40°
(H) Reach at max. lift height: in (mm)	15.5 (394)
(J) Overall length w/bucket: in (mm)	169 (4,293)
Width over tires:	
rims in: in (mm)	60 (1,524)
rims out: in (mm)	70 (1,778)
Ground clearance: in (mm)	9.25 (235)
Tread width min.: in (mm)	45.6 (1,158)
Tread width max.: in (mm)	55.6 (1,412)
Maximum articulation (each way)	40°
Oscillation	+/- 8°
Loader-clearance circle at bucket-carrying position, outside radius: in (mm)	139 (3,531)

\*SAE with 20 cu. ft. (0.57 cu. m) general purpose bucket and 31x15.5-15 tires, heaped capacity.

## OPTIONAL EQUIPMENT

Cab	Enclosed cab with integral ROPS, heater/defroster, front wiper and standard light package
Attachments	
General purpose buckets*:	
cu. ft. (cu. m)	20 (0.57), 74" wide
Light material buckets*:	
cu. ft. (cu. m)	30 (0.85), 63" wide 36 (1.02), 74" wide 45 (1.27), 84" wide
Bolt-on cutting edges: in (mm)	63 (1,600), 74 (1,880), 84 (2,134)
Tooth bar	For general purpose bucket
Pallet forks: in (mm)	42 (1,067)
Starting aid	Engine glow-plug heater
<b>WARRANTY</b>	
Base loader	2 years or 1500 hours
Deutz engine	2 years or 2000 hours





## The MF 7500 and Your Massey Ferguson Dealer Are With You All the Way

Every MF 7500 Articulated Wheel Loader is built rugged and reliable to provide years of outstanding performance, regardless of what you ask it to move, lift, or carry. Adding to the MF 7500's lasting value is top-quality parts and service support from Massey Ferguson and your MF Dealer.

### **Quality Parts**

Your MF 7500 Articulated Wheel Loader will continue to operate at its original level of power, efficiency, and dependability when you install Massey Ferguson branded parts—manufactured to the same high-quality standards as those of your new MF 7500.

Massey Ferguson stands by you with a full one-year warranty on MF branded parts and one of the world's largest computerized parts networks to ensure the speedy availability of original MF parts to your local dealership.

### **"Extra-Effort" Service**

Your MF Dealer has highly trained service personnel to keep your MF 7500 operating at peak performance. Count on your dealer to make the extra effort necessary to keep you satisfied and coming back for years to come.

### **Low-Rate MF Financing, Plus Flexible Lease and Rental Plans**

To make it easy to buy, lease, or rent an MF 7500 Articulated Wheel Loader, your MF Dealer and AGCO Finance can offer extremely competitive rates and terms to match your unique equity and cash flow needs.



MASSEY FERGUSON®

AGCO Corporation has a company policy of continuous improvement and development; therefore, specifications are subject to change without any notice. AGCO Corporation is not responsible for differences between the specifications or illustrations in this publication and the actual equipment.