

# SAME ROCK 55-60-70



**T**HE RANGE



# **SAME ROCK 55-60-70 HP CRAWLER TRACTORS SMALL IN SIZE, BIG IN PERFORMANCE.**

<b>Width (in mm)</b>				
	<b>N</b>	<b>M</b>	<b>C</b>	<b>SC</b>
<b>55</b>	1356	1586	1180	—
<b>60</b>	1484	1684	1279	1030
<b>70</b>	1484	1684	1279	—

With three propulsion units - 55, 60 or the awesome 70 HP - and ten different versions to choose from, you can be sure that there is SAME ROCK that meets your requirements exactly.

For all work in vineyards or orchards, on hillsides, or in difficult soil conditions, the SAME ROCK is the ideal solution.

Every aspect of these crawler tractors - from the engine to the transmission, from the PTO to the steering system, from the tracks to the supremely comfortable driving position - has been designed to allow use in the widest range of applications, including spraying, chopping and shredding, work on and between rows, and pruning.



# **SAME ROCK 55-60-70 HP: THREE MODELS DESIGNED FOR MAXIMUM VERSATILITY.**



But the special features of the SAME ROCK render it equally suited to seedbed preparation in greenhouses; spraying, maintenance work and planting in nurseries; sowing, spraying and ploughing in the open field.

A truly multi-purpose machine that can be configured to your exact requirements: every model in the range is available with a choice of track widths, ranging from the 1030 mm of the Super Compact to the 1684 mm of the Mountain version.

## **An exclusive 70 HP model.**

The SAME ROCK 70, with its 4-cylinder engine, fully satisfies the growing demand for extra power in a compact tractor.

The optimum power/weight ratio is just what you need for upland farming with power hungry implements.



## THE DIMENSIONS



# MAXIMUM CLEARANCE, IN ALL DIRECTIONS.

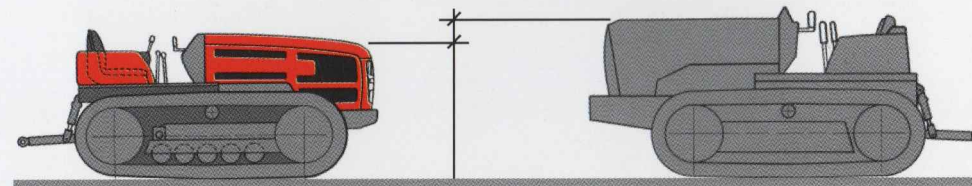
The extremely compact design makes for excellent handling, maximising the clearance in all directions. The exclusive new look by Giugiaro is testimony to the fact that, in a good design, function and form are complementary.

Expressly designed for specialist farming and growing applications, the streamlined, low-profile bodywork allows the tractor to move easily between rows without damage to overhanging branches and shoots.

### STREAMLINED, LOW-PROFILE HOOD

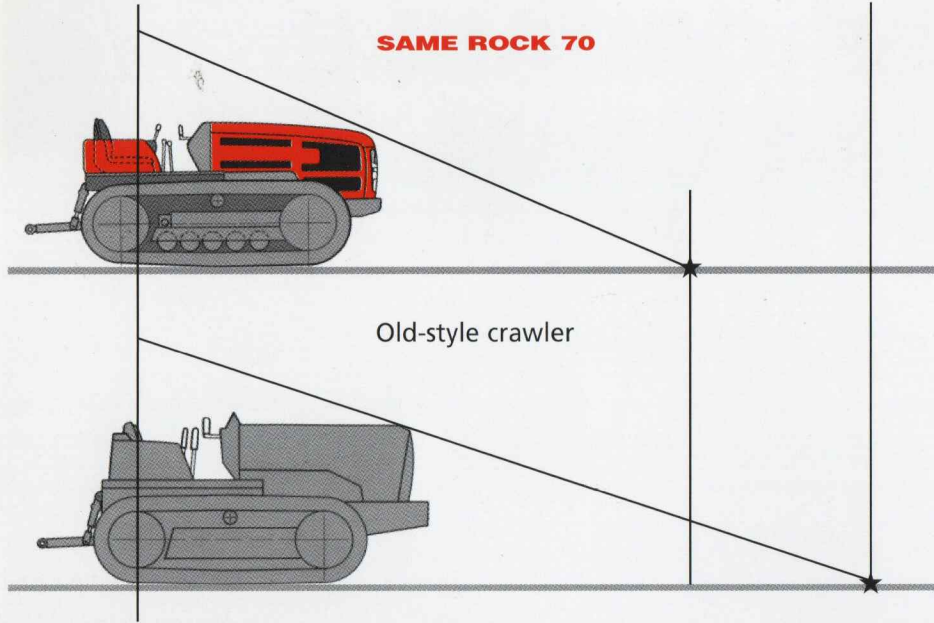
**SAME ROCK 70**

Old-style crawler



The hood is smoothly rounded and 20% lower to prevent damage to overhanging branches.

## IMPROVED VISIBILITY



Forward visibility is increased by 30%, thereby facilitating precision control of the tractor.  
Lateral visibility is also improved by the rounded profile of the fender top boxes.

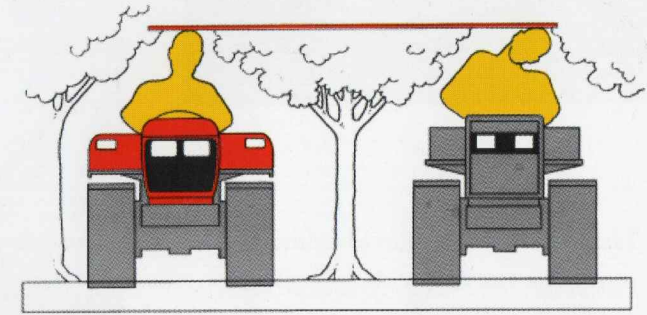
# MORE COMPACT HOOD AND FRONT SUPPORT, MORE AGILE STEERING.

## REDUCED HEIGHT

Thanks to the folding roll-bar, overall height is reduced by 10%, allowing access even under canopies.

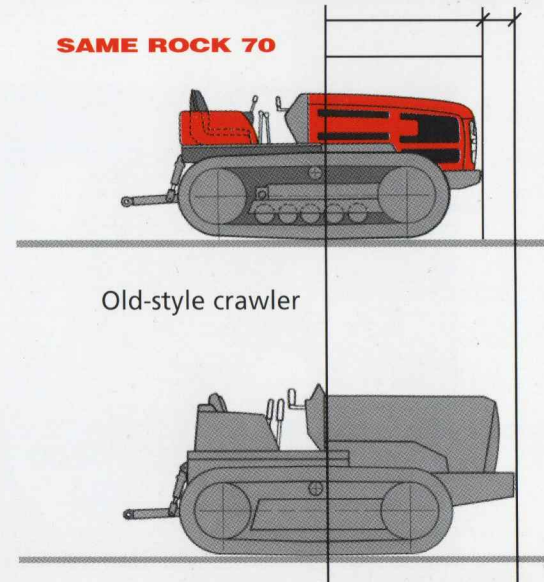
**SAME ROCK 70**

Old-style crawler



## COMPACT HOOD AND FRONT SUPPORT

Point of rotation



A 15% reduction in the steering radius enhances agility and manoeuvrability.

In short, ultra-compact dimensions combined with superb handling increase productivity in extreme conditions and highly-specialised applications.

**SAME Rock:**  
the small crawler  
with the big advantages.



# THE ENGINES

# ENGINES CAPABLE OF HIGH-PERFORMANCE...

The 1000 series engines (3-cylinder version on the ROCK 55 and 60 and 4-cylinder for ROCK 70) provide consistently high torque reserves, even at medium-high engine speeds.

Highly dependable and flexible, and equipped with a reliable air/oil cooling system, these engines benefit from an improved aspiration system with spiral induction ports which increase the speed at which air is delivered to the engine.

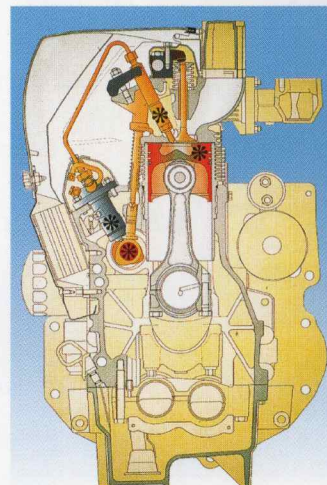
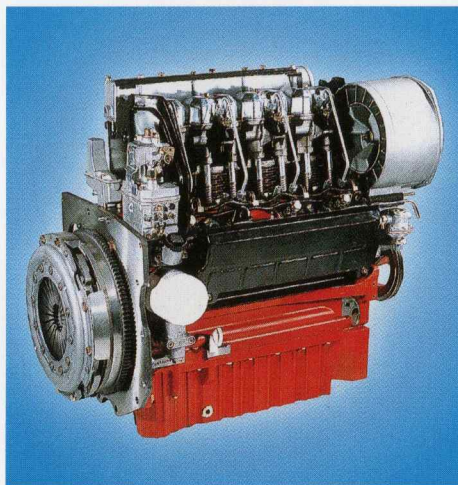
Reduced fuel consumption and large fuel tanks (60 litres on the ROCK 55-60 and 90 litres for the ROCK 70) gives greater productivity.

## Modular reliability.

Performance of this level is made possible by a range of unique features which have established the 1000 series engines as leaders in the field of mechanised farming:

- unit injection pumps immersed in the engine block;

- integrated piston lubrication;
- modular cylinder head design;
- dry air cleaner with increased filter surface area (30% larger than a conventional cleaner of the same diameter);
- under-hood silencer.





## ... AND LOW FUEL CONSUMPTION.

Serviceability has received special consideration, and all the components which require routine servicing are grouped together on the right-hand side of the engine. But above all, the technical characteristics of the engine and the combustion system have been designed to keep fuel consumption and exhaust emission levels to the absolute minimum.

### **Ecology and the environment.**

Respect for the environment is an area of concern to all, as reflected in increasingly stringent international standards: 1000 series engines fully comply with the EURO 1 standards and can also operate with BIODIESEL.

# T HE POWER



# THE TRANSMISSION

Gears	Reverser	Ranges
<b>GEARBOX</b>		
Standard	8 FWD + 8 REV	
Gears	4	
Ranges	2	
Reverser	Mechanical	

Gears	Creeper	Ranges/REV
<b>GEARBOX</b>		
Optional	12 FWD + 8 REV	
Gears	4	
Ranges	2 + REV	
Creeper	Mechanical	

Gears	Mini reduction	Ranges/REV
<b>GEARBOX</b>		
Optional	16 FWD + 8 REV	
Gears	4	
Ranges	2 + REV	
Mini reduction	Mechanical	

## TRANSMISSIONS DESIGNED TO MAKE YOUR WORK EASIER.

To work better in all situations, to reduce working times to a minimum: perennial requirements which can now be satisfied, thanks to the SAME ROCK. The mechanical gearbox of the SAME ROCK is offered in three different versions:

**with direction reverser:**

8 forward and 8 reverse speeds, ideal in headland manoeuvres, in jobs involving pushing alternating with no-load return travel, for faster work in all conditions.

**with creeper:**

12 FWD + 8 REV, with a minimum speed of 0.52 km/h, ideal for operations such as transplanting, ditch digging and extra-fine rotary tilling;

**with mini-reduction:**

16 FWD + 8 REV, for a wider choice of gears and therefore greater flexibility to deal with changing soil conditions and varying gradients and to obtain the best performance from different implements, while ensuring optimum use of available engine power.





Speed in km/h at 2350 rpm.

	8+8	
	FWD	REV
1SR		
2SR		
3SR		
4SR		
1L Mini		
1L	1.57	1.55
2L Mini		
2L	2.08	2.06
3L Mini		
3L	2.55	2.52
4L Mini		
4L	3.81	3.76
1H Mini		
1H	4.78	4.73
2H Mini		
2H	6.35	6.27
3H Mini		
3H	7.77	7.68
4H Mini		
4H	11.62	11.48

Transmission with reverser

	12+8	
	FWD	REV
1SR	0.52	1.01
2SR	0.71	1.34
3SR	0.87	1.65
4SR	1.30	2.46
1L Mini		
1L	1.57	
2L Mini		
2L	2.08	
3L Mini		
3L	2.55	
4L Mini		
4L	3.81	
1H Mini		
1H	4.78	2.96
2H Mini		
2H	6.35	3.93
3H Mini		
3H	7.77	4.81
4H Mini		
4H	11.62	7.19

Transmission with creeper

	16+8	
	FWD	REV
1SR		
2SR		
3SR		
4SR		
1L Mini	1.37	
1L	1.57	2.58
2L Mini	1.81	
2L	2.08	2.96
3L Mini	2.22	
3L	2.55	3.42
4L Mini	3.32	
4L	3.81	3.93
1H Mini	4.17	
1H	4.78	4.19
2H Mini	5.53	
2H	6.35	4.81
3H Mini	6.77	
3H	7.77	6.28
4H Mini	10.12	
4H	11.62	7.19

Transmission with mini-reduction

The pedal-operated clutch - another exclusive feature of the SAME Rock.

Unlike a conventional crawler, control of the clutch is no longer assigned to an awkward, impractical lever, but to a much more convenient foot pedal. This exclusive new feature, when combined with the various transmission options, makes the SAME ROCK a modern, practical machine which is effortless to drive.



# THE PTO

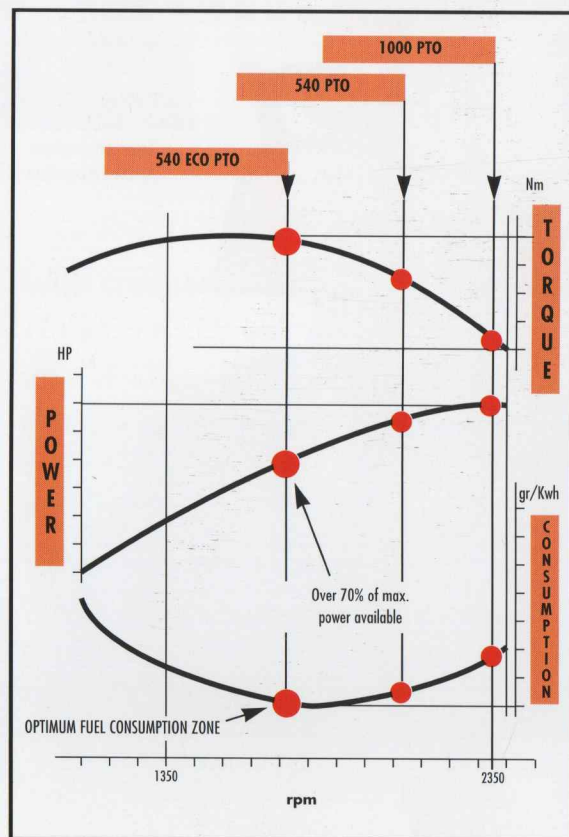
# A SUPERIOR PTO.

Another of the ROCK's winning features is the rear PTO.

Equipped with a smooth, precise clutch, the PTO offers a choice of three speeds: 540, 540 ECO, and 1000 rpm.

Extremely versatile at 540 rpm, effective with power-hungry implements at 1000 rpm, the PTO also offers an "economical" speed - the 540 ECO - ideal for implements with low-medium power requirements and offering the following advantages:

- lower engine speed and consequently reduced engine wear;
- a significant reduction in fuel/oil consumption, thanks to the lower engine speed and an excellent specific consumption.





### **Ergonomics and productivity.**

The PTO control levers are ergonomically designed for comfortable and easy operation, and positioned so as not to impede access to the driver's seat. Hitching is accomplished swiftly and safely, and, whatever the implement, you can depend on the engine-PTO combination to provide ample power to ensure high productivity in all operating conditions.

### **Ideal hydraulic system for specialist farmers and growers.**

The hydraulic system is equipped with a 38 l/min pump (to which a second pump may be added if required), and 4, 6 or 10-way spool valves configured for implements which require holding or floating control.

The pump capacity is sufficient to

allow operation of all specialised implements in the certainty that the necessary pressure and flow will be available at all times.

### **Power and precision.**

The power lift, with position - draft - mix and float control, has a lifting capacity of 2500 kg and is thus easily capable of meeting all requirements for tractors of this class.

The lift arms are compact and easily-adjustable.

The facility to adjust the sensitivity of the draft control, calibrated control of the implement lowering speed and a safety lock to prevent lowering of the implement during transport complete the characteristics of a superior lift system.

**Unlimited possibilities of use make the SAME Rock an invaluable workmate.**



# THE BRAKES AND STEERING CLUTCHES

The new steering system makes for a completely new experience of crawler driving. No more abrupt stops and jerky direction changes, just incredibly smooth handling.

The multi-disc steering clutches and the brakes are oil-immersed and thus

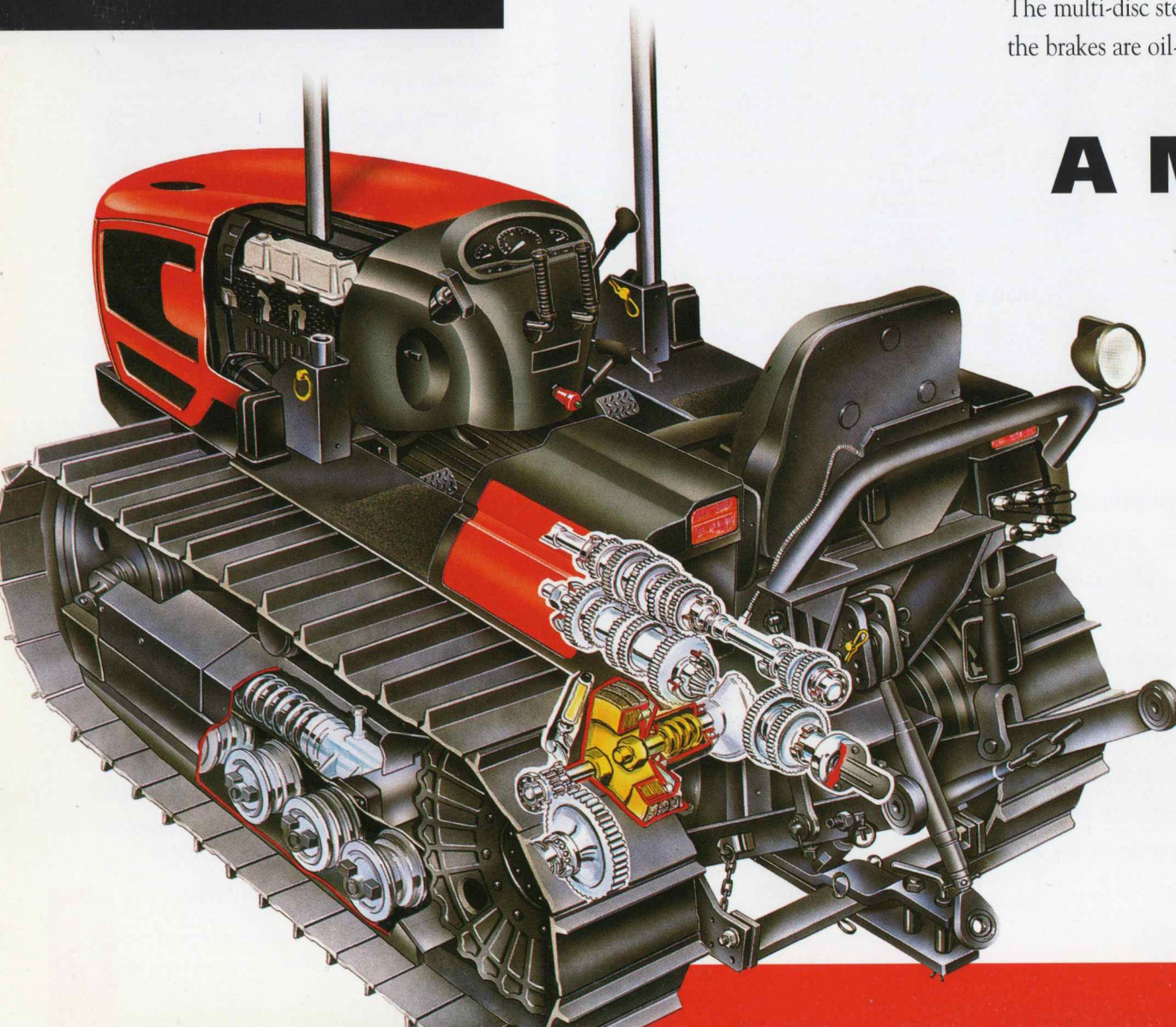
offer maximum performance in terms of sensitivity, reliability and durability. For the clutch, this translates into smoother, more gradual engagement, while for the brakes, oil immersion provides protection against over-heating and significantly reduces wear.

## A NEW STEERING SYSTEM, AGILE AND RELIABLE.

### Smooth, progressive action.

The action of the steering clutches and brakes is of a smoothness and precision previously unknown on a crawler tractor.

The servo-assisted controls are specific for each track, but are positioned in such a way that are easily operated simultaneously.



# PRECISION AT YOUR COMMAND.



## T HE PRECISION



The dual function steering clutch/brake levers, perfectly integrated in the console, have a sequential action: the first part of lever travel controls the steering clutch, while the second part operates the brake. This allows exceptionally precise manoeuvring at all speeds and ensures maximum safety in all conditions. Frequent manoeuvres and direction changes, whether on uphill or downhill slopes, require less effort and are more precise, making for a level of operator comfort and productivity which exceeds all expectations.

### **An extra margin of safety.**

In addition to the efficient hydraulic braking system operated by the dual function control lever, the SAME ROCK is equipped with an additional braking system which acts on both tracks simultaneously. Two braking systems, for guaranteed safety.

**SAME Rock:  
as smooth as silk.**



**T**HE COMFORT



In addition to its extremely compact dimensions, the SAME ROCK benefits from close attention to ergonomic design principles: the transmission, steering and PTO controls are all positioned within easy reach of the operator for maximum practicality and comfort. Control of the crawler and implements is made simple and precise by the console-mounted control levers and the clear, comprehensive instrument panel.



**ON YOUR SAME  
CRAWLER,  
COMFORT  
AND  
SAFETY ARE  
BUILT-IN.**

The tracks run smoothly on a system of double and single flanged rollers (4 on the 55 and 60 HP versions - 5 on the 70 HP model).

A hydraulic track tensioning system allows the adjustment of track tension to suit the terrain.



## SAFETY ALL OVER THE FIELD.

### Comfort and protection.

Modular hydraulic servo controls make for effortless operation. The ample seat can be adjusted backwards and forwards and features a reclining backrest for driver comfort.

The low-profile storage compartments built-in to the fenders enclose the operator without restricting

visibility, and also provide a useful arm-rest when working on steep gradients. Perfect weight distribution guarantees stability and safety.

The large ground contact area provides excellent grip, 4.5% greater than on other crawlers in this class.

In wet or heavy ground conditions, the ROCK's superior performance comes to the forefront.

## THE SAFETY



The low centre of gravity is another factor which contributes to stability and safety, essential when, for example, ploughing heavy soils on steep slopes, or working on clayey ground in orchards and vineyards.

**On the SAME Rock  
you'll feel perfectly at home.**



# THE MAINTENANCE

## MAINTENANCE? WITH THE SAME ROCK, NOTHING COULD BE SIMPLER.

You'll find your SAME ROCK is quick and easy to maintain, with servicing times reduced to a bare minimum. Every component has been designed for maximum serviceability.



- The light, tough hood, like all the body panels, is made from TELENE®. Hinged and equipped with a stay, the hood can be raised to allow easy access to the engine and air cleaner.
- The front grille is fully detachable, as are the side panels, which can be removed without the use of a screwdriver.
- Routine servicing points are all grouped together on the right-hand side of the engine.
- The battery is easily accessible for inspection.
- The steering clutches and brakes are self-adjusting and require no manual servicing.
- The electrical system is protected, with the main wiring harness enclosed in a protective trunking.
- The track tensioning system is immediately accessible.



# A LARGE ORGANISATION FOR A LITTLE TRACTOR.



## O RIGINAL PARTS

Even small tractors need care and attention, and SAME has spared no expense in the search to find advanced technical solutions to help you work better and reduce servicing time and costs.

SAME offers you an efficient and widespread after-sales service capable of assisting you wherever you are with a network of qualified dealers and service centres.

The use of modular components guarantees an efficient and rapid replacement part service.

This leaves you free to concentrate on the business of farming and take full advantage of everything that the SAME ROCK has to offer.



# Technical Data

	ROCK 55			ROCK 60				ROCK 70		
	N	M	C	N	M	C	SC	N	M	C
<b>ENGINE</b>										
SAME	1000.3A			1000.3A				1000.4A		
Cylinders / displacement	(N°/cm³) 3 / 3000			3 / 3000				4 / 4000		
Maximum rated power	(kW/HP/rpm) 40,5 / 55 / 2350			44,5 / 60 / 2350				51,5 / 70 / 2350		
Maximum torque/revs at max. torque	(Nm/rpm) 195 / 1400			205 / 1400				245 / 1500		
Torque reserve	17			16				17		
Cooling	air / oil			air / oil				air / oil		
Unit injection pumps embedded in block	●			●				●		
Exhaust silencer under hood, lateral tail-pipe	●			●				●		
Fuel tank capacity	(litres) 60			60				90		
<b>TRANSMISSION</b>										
Main clutch: dry, single-disc, pedal operated	●			●				●		
PTO clutch: dry, single-disc with independent lever control	●			●				●		
Gearbox: 8 FWD + 8 REV with REVERSER	●			●				●		
Gearbox: 12 FWD + 8 REV with CREEPER	○			○				○		
PTO speed: 540	(rpm) ●			●				—		
PTO speed: 540/540 E	(rpm) ○			○				●		
PTO speed: 540/1000	(rpm) ○			○				○		
<b>STEERING AND BRAKES</b>										
Oil-immersed, multi-disc steering clutch with servoassisted hydrostatic operation	●			●				●		
Independent, oil-immersed strap brakes, servoassisted operation	●			●				●		
<b>HYDRAULIC LIFT</b>										
Position, draft and MIX control	●			● ● ● (posit.)				●		
Max. lifting capacity	(kg) 2500			2500				2500		
Lift pump capacity	(l/min) 38			38				38		
Auxiliary hydraulic spool valves std/opt	(n° ways) 4 / 6			6 / - 6 / - 6 / - 2 / -				6 / -		
<b>TRACKS AND UNDERCARRIAGE</b>										
Track shoe width std.	(mm) 300 300 280			360 360 310 220				360 360 310		
Track shoe width opt.	(mm)			310 280						
N° of shoes per track	35			32 32 32 35				35		
Ground contact area (with std. shoes)	(cm²) 8070 8070 7532			9828 9828 8463 5918				11340 11340 9765		
Specific ground pressure (with std. shoes)	(kg/cm²) 0,31 0,32 0,33			0,31 0,31 0,33 0,40				0,29 0,30 0,33		
Specific ground pressure (with opt. shoes)	(kg/cm²)			0,36 0,40						
N° of bottom rollers	4			4				5		
N° of top rollers	1			1				1		
Hydraulic track tensioning	●			●				●		
<b>BODYWORK AND DRIVING POSITION</b>										
Front ballast support	○			● ● ● ● ○				●		
Hinged and detachable hood in Telene®	●			●				●		
Rear fender top boxes	●			●				●		

	ROCK 55			ROCK 60				ROCK 70		
	N	M	C	N	M	C	SC	N	M	C
Console mounted steering control levers	●	●	●	●	●	●	●	●	●	●
Central gearshift levers	●	●	●	●	●	●	●	●	●	●
Adjustable driver's seat	●	●	●	●	●	●	●	●	●	●
Folding roll-bar (type approved)	●	●	●	●	●	●	●	●	●	●
<b>DIMENSIONS AND WEIGHTS</b>										
Max. length with links	(mm) 2950			2975 2975 2975 2950				3095		
Width with std. track shoes	(mm) 1356 1586 1180			1484 1684 1279 1030				1484 1684 1279		
Width with opt. track shoes	(mm)			1434 1249						
Height to top of hood	(mm) 1100			1130				1130		
Ground clearance	(mm) 300			330				300		
Axle base	(mm) 1345			1365 1365 1365 1345				1575		
Track width	(mm) 1025 1285 870			1125 1325 940 780				1125 1325 985		
Weight with roll-bar	(kg) 2520 2620 2500			3010 3060 2830 2340				3300 3350 3200		

	ROCK 55 N, M, C ROCK 60 SC		ROCK 60 N, M, C ROCK 70 N, M, C	
	FWD	REV	FWD	REV
<b>12 FWD + 8 REV GEARBOX</b>				
1 Superslow	0,52	0,97	0,54	1,01
2 Superslow	0,68	1,29	0,71	1,34
3 Superslow	0,84	1,58	0,87	1,64
4 Superslow	1,25	2,36	1,30	2,45
1 Slow	1,51		1,57	
2 Slow	2,00		2,08	
3 Slow	2,45		2,55	
4 Slow	3,67		3,81	
1 Fast	4,61	2,85	4,78	2,96
2 Fast	6,11	3,78	6,38	3,92
3 Fast	7,49	4,63	7,77	4,81
4 Fast	11,19	6,93	11,62	7,19
<b>8 FWD + 8 REV GEARBOX</b>				
1 Slow	1,51	1,49	1,57	1,55
2 Slow	2,00	1,98	2,08	2,05
3 Slow	2,45	2,42	2,55	2,51
4 Slow	3,67	3,62	3,81	3,76
1 Fast	4,61	4,55	4,78	4,72
2 Fast	6,11	6,04	6,35	6,26
3 Fast	7,49	7,40	7,77	7,67
4 Fast	11,19	11,05	11,60	11,46

Technical data and illustrations are guideline only. As our aim at SAME is to deliver a product increasingly in line with customer expectations, the right is reserved to introduce changes without notice.



SPECIALISED LUBRICATION



Sede e Direzione : Viale F. Cassani, 15 - 24047 Treviglio (BG) - Tel. (0363) 4211