

SPRA-COUCPE®

3640

Specifications



The original concept of a light-weight ground sprayer called for a machine able to accurately deliver tip-to-target application with minimal crop damage and soil compaction. Today, Spracoupe model 3640 still delivers on that original concept, but offers many new customer-driven features and improvements.

With a frame-to-ground clearance of 56 inches and spraying heights up to 92 inches, the 3640 is ideal

for row crop and specialty crop spraying. The adjustable boom height, dual tank agitation, pinpoint accuracy and a variety of nozzles all work together to put the spray right where you want it.

Other features include a powerful 110 hp Perkins engine for optimum power-to-weight performance in all terrain. An optional boom control joystick and a telescoping hitch make operating the 3640 even more enjoyable. Some of the best

features are seemingly invisible, but a test drive will let you experience the quality and comfort built into each machine.



Spracoupe's exclusive telescoping tow hitch attaches easily to a variety of towing vehicles. It simplifies hook-up and truly makes the Spracoupe a one-person spraying operation.



SPRA-COUCPE®

Specifications

GENERAL

Empty Weight	8320 lbs (3777 kg)
Operating Weight	10780 lbs (4894 kg)
Clearance	
Ground to Frame	Approx. 57 in. (1477 mm)
Speed Ranges	1st 4.4 MPH (7.1 km/h) 2nd 7.3 MPH (11.7 km/h) 3rd 11.2 MPH (18.0 km/h) 4th 14.5 MPH (23.3 km/h) 5th 20.8 MPH (33.5 km/h) Reverse 4.6 mph (7.4 km/h)
Tires, Front (wide front)	9.00 x 24 Rib 8-ply
Tires, Rear	12.4 x 24 F8, 8-ply
Rear Suspension	Swing-Type Coil Springs and Shock Absorber
Front Suspension	Spring Suspension
Tread Width (front and rear)	80 in. (2033 mm) - 120 in. (3048 mm)* * with optional axle

ENGINE

Make	Perkins Turbo-Charged Diesel 1000 Series
Type	4 cylinder, 110 hp, 4.0 L
Low Idle Speed	1000 rpm
Governed (full load)	2400 rpm
Fuel	#2 Diesel
Fuel Capacity	25 gal. (94.5 L)
Engine Oil Capacity	8 qt. (7.6 L)

TRANSMISSION

Type	Borg-Warner T-5 (manual shift) 5 forward, 1 reverse
Transmission Oil Cap.	5.625 pt. (2.65 L)

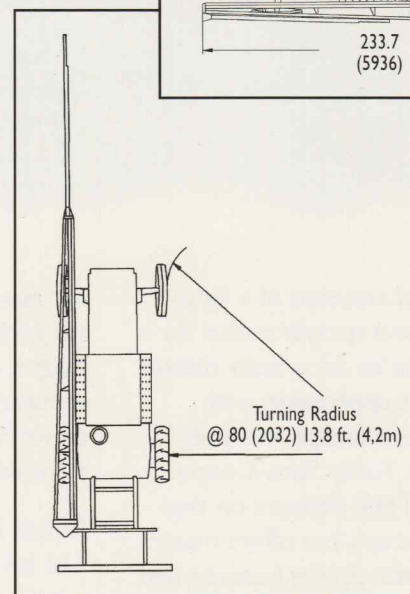
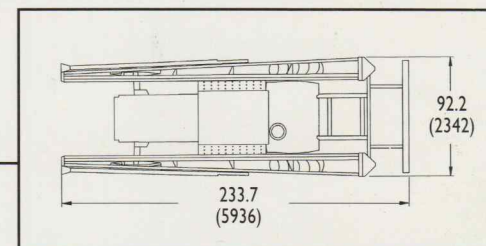
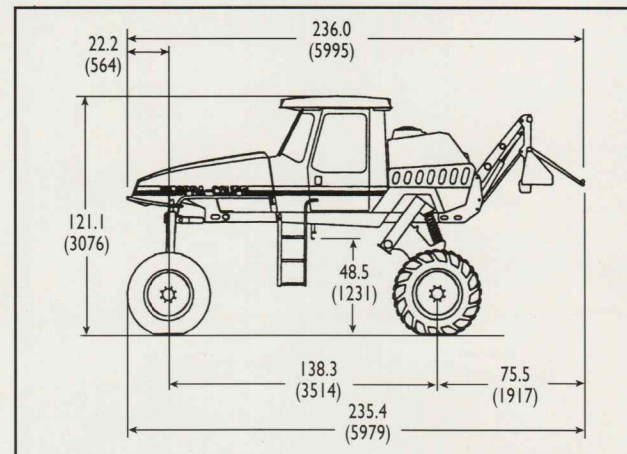
SPRAYING SYSTEM

Spray Control	Electric Boom Selector Ball Valve ("Left-Center-Right")
Flow Control	Electric-Control Pressure Adjust Valve
Agitation	Two Manual Control Valves w/Electrical Shut-off 3/4" Agitation Line
Liquid Tank Capacity	300 gal. (1136 L)
Spray Pump	Hypro Centrifugal with Electro-Magnetic Clutch
Filtration	50-Mesh Screen
Sprayer Manifolds	Nozzle Assemblies with Changeable Nylon, Brass or Stainless Steel Tips, 8002 80-Degree tips with 50-Mesh Screen standard
Manifold Line	Rated at 200 psi

BOOMS

Spraying Width	Aprox. 60 ft. (18.3 m)
Boom Height	Hydraulic Adjustment
Low Position	21 in. (533.5 mm) - 76 in. (1930 mm)
High Position	37 in. (940 mm) - 92 in. (2337 mm)
Nozzle Spacing	20 in. (508 mm) standard

Providing plenty of muscle and power, the rugged Perkins engine increases torque to the wheels by nearly 50 percent, and increases turning torque by 90 percent.



AGRI★MART

Equipment & Parts Sales

Agri★Mart (270) 926-8737
 P.O. Box 22879 (866) 807-2787-Toll Free
 Owensboro, KY 42304-2879 (270) 688-5937-Fax

www.agrimart.net



AGCO Corporation
 4205 River Green Parkway, Duluth, GA 30096
 1-800-767-3221

Specifications and design subject to change without notice.
 Pictures of Spracoupe may show other than standard equipment.

Printed in U.S.A.

SPRA-COUPÉ®

Kn-5M-898-#08001-F