



**MF INDUSTRIAL
& CONSTRUCTION
MACHINERY**

MF 2135 TURF TRACTOR



Faster Travel Speeds: Keeps up with city traffic when moving between maintenance sites.

Low RPM / High Torque Engines: Lets you accomplish task, without operating engine at full rpm to reach maximum power torque.

Plus:

- Low center of gravity
- Gas or diesel power
- Standard or manual shuttle transmission
- 3-Point hitch with exclusive Ferguson system
- Heavy duty adjustable front axle
- Easy to read full instrument panel
- Hand and foot throttle
- Safety starter
- Dual or high flotation rear tires and wheels

MF 2135 TURF TRACTOR ENGINEERING SPECIFICATIONS

ENGINE

Gas: Low rpm, high torque 4 cylinder, 134 cubic inch, 39 bare engine hp (with standard accessories) @ 2000 rpm.

Diesel: Low rpm, high torque 3 cylinder 152.7 cubic inch, 42 bare engine hp (with standard accessories) @ 2000 rpm.

OPERATOR COMPARTMENT

Seat: Foam float, waterproof upholstered. Optional

Instrumentation: Tach/hour meter, fuel, ammeter, oil pressure, engine temperature, and safety starter switch.

DRIVE TRAIN

Transmission: Standard, heavy duty, dual range w/six forward (travel speeds 0 - 18.05 MPH) and two reverse (travel speeds 0 - 8.96 MPH) or heavy duty, dual range w/six speed single lever fingertip control Manual Shuttle (travel speeds 0 - 30 MPH).

Brakes: Individual foot operated, self energizing internal expanding 14" brake shoes outer end axle housing, with tip toe parking brake.

Clutch: Heavy duty manually applied, 9" single or 11" and 9" diameter two stage dual.

Differential Lock: Optional

Power Take Off: Live. Allows operator to stop, start, or reverse tractor without changing PTO rotation. Optional

Throttle: Spring loaded with overriding foot control.

Ferguson System: 3-Point hitch, category 1 ball points. Constant running 4.35 GPM pump @ 2000 engine RPM. Optional

Steering: Manual, power optional. 2¼ turns stop to stop steer ration.

Steering Axle: Heavy duty, adjustable.

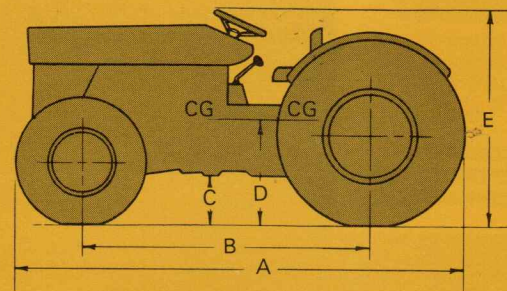
Drawbar: Swinging optional
Straight standard

Tires: Drive: 18.4 x 16 A - 6 ply rating R3.
Steer: 7.50 x 10 - 4 ply rating F3.

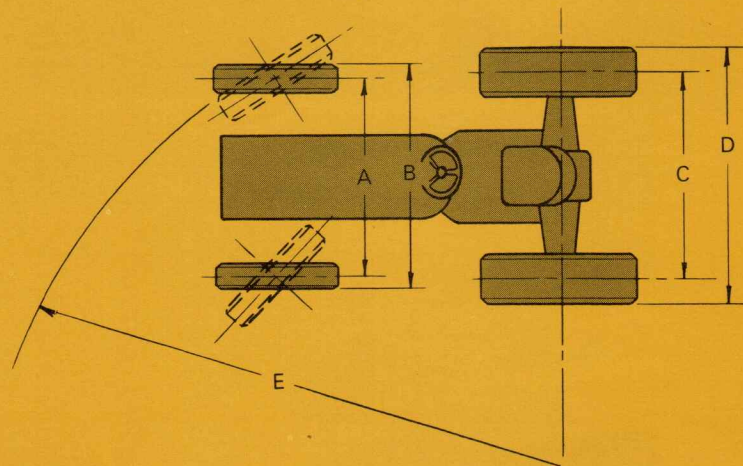
Lights: Two fender mounted forward floods. One selective clear/red flood and one fender mounted flasher warning rear.

Total Weight (Approximately):

Gas 3100 lbs. Diesel 3200 lbs.

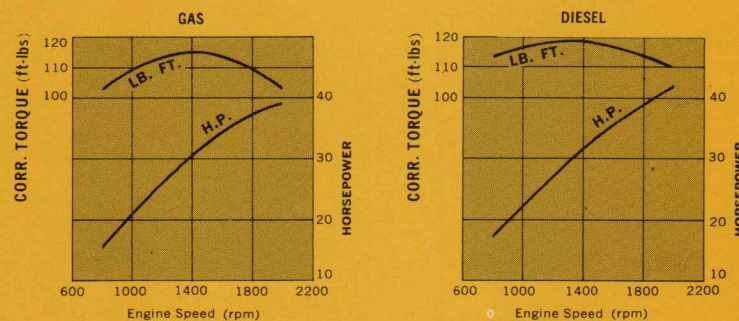


TRACTOR	A	B	C	D	E
MF 2135 Turf	110"	72"	8"	19.8"	49½"



TRACTOR	A	B	C	D	E
MF 2135 Turf	52"	58"	73"	91"	17"

ENGINE PERFORMANCE
(Average Production Performance)



*Engine with air cleaner, muffler, and water pump but less alternator, fan and steering pump.

Massey-Ferguson reserves the right to make changes in design or to add improvements to its products without incurring any obligation on goods purchased prior to such changes or improvements.



Massey-Ferguson Inc.
Akron, Ohio