



MODEL 2130

Tractor

55 DIN net engine hp (40 kW)

12 Forward 12 Reverse Synchromesh Transmission

Narrow and Vineyard Versions 2 and 4WD



2130 BASIC TRACTOR



MODEL

2130

ENGINE

Type	Four stroke direct injection, diesel
Power	55hp DIN 70020 at 2350 rev/min
Max. Torque	192 Nm at 1300 rev/min
Torque at Rated Speed	162 Nm at 2350 rev/min
Fuel at max. power	226g/kWh
Bore x Stroke	105 x 115.5 mm
No. of cylinders	3
Capacity	3000cc
Compression Ratio	17:1
Governed Range	650 – 2520 rev/min

CLUTCH

Type	Dry double disc independent hand operated PTO
Diameter	280 mm

TRANSMISSION

Standard synchromesh	12+12 speeds
Option	8+8 speeds 12+12 creeper

Ground Speed on Standard Tyres (in Km/h)			
		Creeper Option	
Forward	1	1.5	0.5
	2	2.3	0.7
	3	2.9	1.0
	4	3.5	1.4
	5	4.4	2.2
	6	5.3	3.3
	7	6.8	4.8
	8	8.2	6.7
	9	10.2	9.6
	10	12.5	14.2
	11	19.4	20.8
	12	29.2	29.2
Reverse	1	1.2	0.4
	2	1.9	0.6
	3	2.5	0.9
	4	2.9	1.2
	5	3.7	1.8
	6	4.4	2.7
	7	5.7	4.0
	8	6.9	5.6
	9	8.5	8.0
	10	10.5	11.9
	11	16.2	17.4
	12	24.5	24.5

Centre Mechanical Front Drive Easy shift Engagement

POWER TAKE OFF

Type	540 rev/min or 540-1000 rev/min
No. of splines	6 (1 9/16" shaft DIN 9611A)
Engine revs at 540 rev/min PTO	2155 rev/min
Engine revs at 1000 rev/min PTO	2105 rev/min

HYDRAULIC SYSTEM

Max. Pressure	180kg/cm ² (±5kg/cm ²)
Flow	40 lit/min
Power	10kW
Linkage Lift – Narrow	1975kg
Vineyard	2000kg
Linkage Category	1 (convertible to Cat. 2)

BRAKES

Foot	Oil immersed multidisc
Diameter	165/110mm (ext/int)
No. of discs	4 per side
Hand	Connected to main system

STEERING

Type	Hydrostatic
Steering wheel diameter	380 mm
System pressure	110kg/cm ² (90kg/cm ² for German version)
Flow at max. revs	40 lit/min (14 lit/min for German version)
Total revs (left to right)	2wd 3 4wd 3,4
Turning radius Narrow	
2wd without brakes	310 cm
4wd without brakes	430 cm
Vineyard	
2wd without brakes	290 cm
4wd without brakes	390 cm

ELECTRICAL

Battery	12v 100Ah
Cold start current	420 Amp at -18°C
Alternator	14v, 45 Amp

CAPACITIES

Fuel Tank	60 lit
Engine	6,7 lit
Transmission case 2wd	36 lit
4wd	38 lit

DIMENSIONS

NARROW

(Min. and max. values depending on tyres)

A. Wheelbase	2wd	1980 mm
	4wd	1945 mm
B. Bonnet Height	2wd	1255 – 1296 mm
	4wd	1255 – 1296 mm
C. ROPS	2wd	2287,5 – 2378,5 mm
	4wd	2287,5 – 2378,5 mm
Front track	2wd	1000 – 1568 mm
	4wd	1098 – 1280 mm
Rear track		850 – 1648 mm
D. Ground clearance	2wd	294 – 366 mm
	4wd	235,5 – 301,5 mm



DIMENSIONS

VINEYARD

(Min. and max. values depending on tyres)

A. Wheelbase 2wd	1980 mm
4wd	1945 mm
B. Bonnet Height 2wd	1255 – 1273 mm
4wd	1255 – 1273 mm
C. ROPS 2wd	2287,5 – 2378,5 mm
4wd	2287,5 – 2378,5 mm
Front track 2wd	780 – 1248 mm
4wd	875 – 1280 mm
Rear track	730 – 1298 mm
D. Ground clearance	
2wd	294 – 366 mm
4wd	235,5 – 257,5 mm

WEIGHTS – BASIC TRACTORS

NARROW

(Including ROPS and ballast support only)

2wd (14,9R28A8;7.50–16/6PR)	
Front	805 kg
Rear	1184 kg
Total	1989 kg
4wd (13.6R28A8;7.50–18/4PR)	
Front	995 kg
Rear	1174 kg
Total	2169 kg
ROPS Weight	33 kg
Ballast Support	50 kg

VINEYARD

(Including ROPS and ballast support only)

2wd (13,6R28A8;5.50–16/6PR)	
Front	800 kg
Rear	1156 kg
Total	1956 kg
4wd (13.6R28A8;8.25–16/4PR)	
Front	950 kg
Rear	1156 kg
Total	2106 kg
ROPS Weight	33 kg
Ballast Support	50 kg

WHEELS & TYRES, STANDARD

Narrow	
2wd Front	6.00-16
Rear	12.4 R28
4wd Front	7.50-16
Rear	12.4 R28
Vineyard	
2wd Front	5.50-16
Rear	11.2 R28
4wd Front	6.50-16
Rear	11.2 R28

STANDARD EQUIPMENT

Accelerator

Hand and foot controls

Air Intake

Dry type with service indicator

Alternator

45 Amp

Battery

12 volt standard duty

Brakes

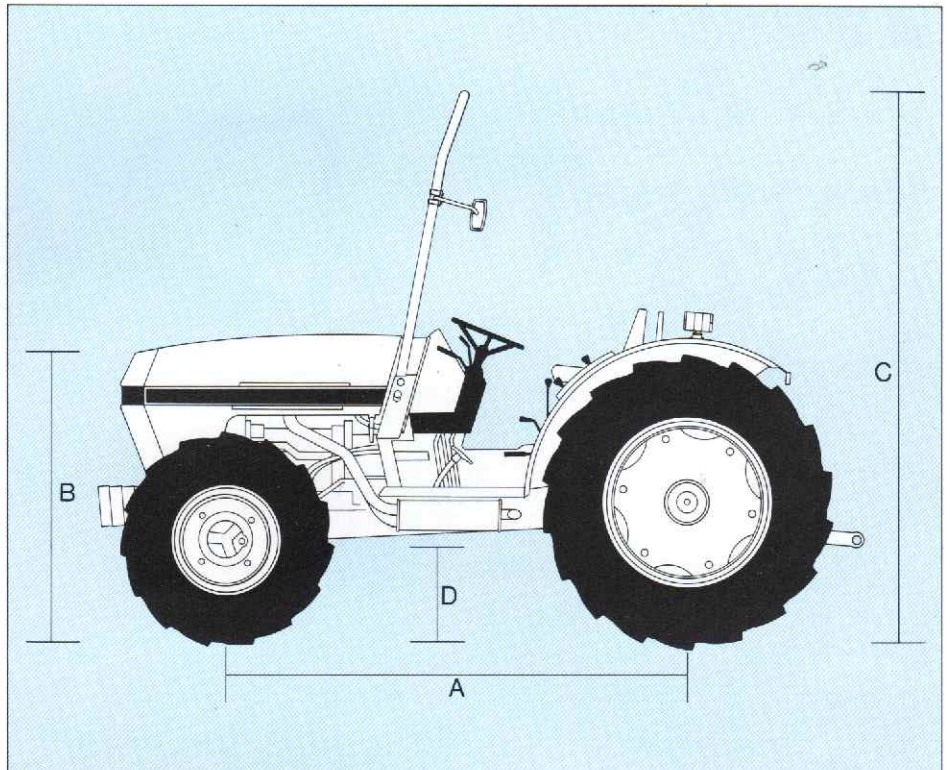
Wet multi-disc

Clutch

Double dry plate for transmission and PTO

Differential Lock

Foot operated



Engine

3 cylinder direct injection, air cooled

Fenders

Crown type rear

Fuel Tank

Under hood

Hitch

3 point category 1 or category 1N for Vineyard

Hydraulics

Independent, draft and position control

Hydraulic Valves

One single acting

Instrumentation

Tachometer, fuel and water temperature gauges, warning lights for engine oil pressure, battery discharge, air filter restriction, headlamp beam

Lighting

2 head, side and tail lights, direction indicators, hazard warning lights

Muffler

Downswept

Power Take Off

Single speed independent 540 rpm

Seat

De luxe with fore-aft and height adjustment

Steering

Hydrostatic power

Transmission

12+12 speed synchromesh, 1.2-30 km/h
Range – high - medium - low
Speed – 4 speed
Forward and reverse shuttle

Weights

Front weight carrier 50kg with tow hitch

OPTIONAL EQUIPMENT

Drawbar

Short category 1/2 or category 1/2N

Fenders

Front

Hitches

Trailer hitch, swivel type, height adjustable

Hydraulic valves

Single or double acting, up to 3 may be fitted

Lighting

Rear work light

Muffler

Vertical

Power Take Off

Two speed independent 540/1000 rpm
Two speed independent 540/750 rpm

Transmission

8+8 speed synchromesh 2-30km/h
12+12 creep speed synchromesh 0.4-30km/h
Four wheel drive, centre line drive shaft, limited slip differential. Planetary hub reduction

Weights

Front weights 25kg, up to 3 may be fitted

Wheels and Tyres

Refer to price list



This literature has been published for worldwide circulation. As availability of equipment builds vary according to the country in which the equipment is to be used, the illustrations and text may include optional equipment and accessories and may not include all standard equipment. Your Case International Distributor/Dealer will be able to give you details of the products and their specifications available in your area.

The company's policy is one of continuous improvement and development. Therefore specifications are subject to change without notice. Whilst every effort is made to uphold accuracy within literature, the company accepts no responsibility for discrepancies which may occur between the specifications of its machines and the descriptions thereof contained in its publications.



Published by:
JI Case Europe Limited
Case House, PO Box 89
85/89 High Street, Walton-on-Thames
Surrey KT12 1DL, England

JI Case
A Tenneco Company 