

MODEL 2140

# Tractor

---

65 DIN net engine hp (48 kW)

---

12 Forward 12 Reverse Synchromesh Transmission

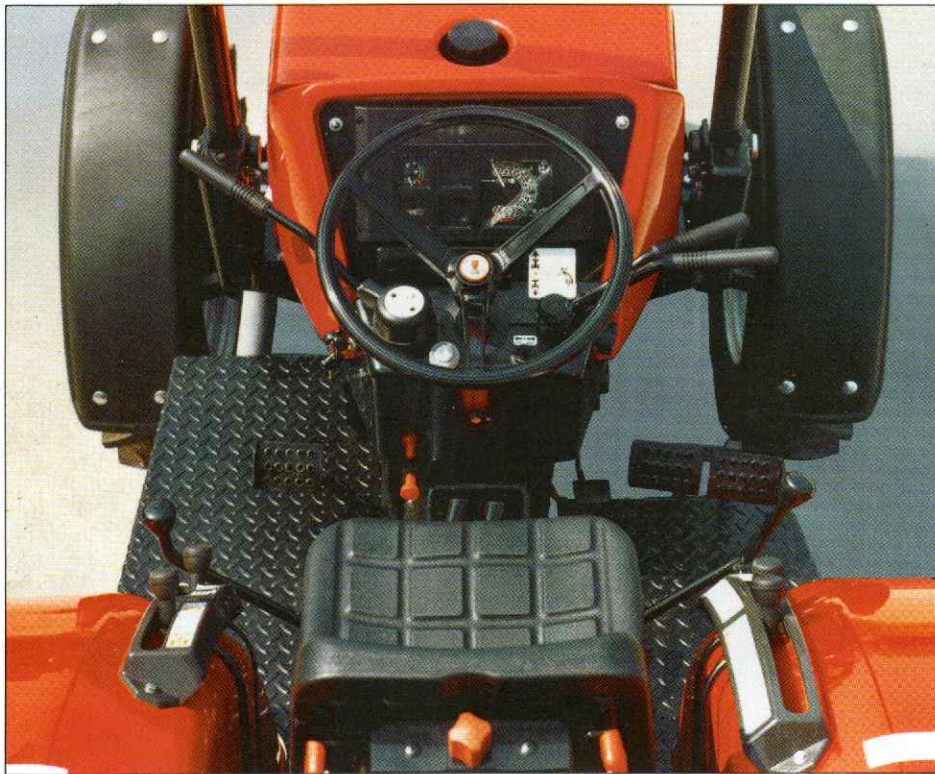
---

Narrow and Vineyard Versions 2 and 4WD

---



# 2140 BASIC TRACTOR



## MODEL

2140

## ENGINE

Type	Four stroke direct injection, diesel
Power	65hp DIN 70020 at 2350 rev/min
Max. Torque	227 Nm at 1300 rev/min
Torque at Rated Speed	194 Nm at 2350 rev/min
Fuel at max. power	228g/kWh
Bore x Stroke	105 x 115.5 mm
No. of cylinders	4
Capacity	4000cc
Compression Ratio	17:1
Governed Range	650–2520 rev/min

## CLUTCH

Type	Dry double disc independent hand operated PTO
Diameter	280 mm

## TRANSMISSION

Standard synchromesh	12+12 speeds
Option	8+8 speeds 12+12 creeper

Ground Speed on Standard Tyres (in Km/h)			
		Creeper Option	
Forward	1	1.5	0.5
	2	2.4	0.7
	3	3.0	1.1
	4	3.7	1.5
	5	4.6	2.3
	6	5.5	3.4
	7	7.1	5.0
	8	8.6	7.1
	9	10.7	10.1
	10	13.1	14.9
	11	20.3	21.8
	12	30.6	30.1
Reverse	1	1.3	0.4
	2	2.0	0.6
	3	2.6	0.9
	4	3.1	1.3
	5	3.8	1.8
	6	4.6	2.9
	7	5.9	4.2
	8	7.2	5.9
	9	9.0	8.4
	10	11.0	12.5
	11	17.0	18.3
	12	25.7	25.7

Centre Mechanical Front Drive      Easy shift Engagement

## POWER TAKE OFF

Type	540 rev/min or 540-1000 rev/min
No. of splines	6 (1 3/8" shaft DIN 9611A)
Engine revs at 540 rev/min PTO	2155 rev/min
Engine revs at 1000 rev/min PTO	2105 rev/min

## HYDRAULIC SYSTEM

Max. Pressure	180kg/cm <sup>2</sup> (±5kg/cm <sup>2</sup> )
Flow	40 lit/min
Power	10kW
Linkage Lift—Narrow	1975kg
Vineyard	2000kg
Linkage Category	1 (convertible to Cat. 2)

## BRAKES

Foot	Oil immersed multidisc
Diameter	165/110 mm (ext/int)
No. of discs	4 per side
Hand	Connected to main system

## STEERING

Type	Hydrostatic
Steering wheel diameter	380mm
System pressure	110kg/cm <sup>2</sup> (90kg/cm <sup>2</sup> for German version)
Flow at max. revs	40 lit/min (14 lit/min for German version)
Total revs (left to right)	2wd 3 4wd 3,4
Turning radius Narrow	
2wd without brakes	330 cm
4wd without brakes	425 cm
Vineyard	
2wd without brakes	320 cm
4wd without brakes	415 cm

## ELECTRICAL

Battery	12v 100Ah
Cold start current	420 Amp at -18°C
Alternator	14v, 45 Amp

## CAPACITIES

Fuel Tank	60 lit
Engine	9.2 lit
Transmission case	2wd 36 lit 4wd 38 lit

## DIMENSIONS

### NARROW

(Min. and max. values depending on tyres)	
A. Wheelbase	2wd 2110 mm 4wd 2075 mm
B. Bonnet Height	2wd 1255–1296 mm 4wd 1255–1296 mm
C. ROPS	2wd 2425,5–2506,5 mm 4wd 2415,5–2506,5 mm
Front track	2wd 1000–1568 mm 4wd 1098–1280 mm
Rear track	850–1648 mm
D. Ground clearance	2wd 294–366 mm 4wd 235,5–301,5 mm



## DIMENSIONS

### VINEYARD

(Min. and max. values depending on tyres)

A. Wheelbase	2wd	2110 mm
	4wd	2075 mm
B. Bonnet Height	2wd	1255 – 1273 mm
	4wd	1255 – 1273 mm
C. ROPS	2wd	2415,5 – 2506,5 mm
	4wd	2415,5 – 2506,5 mm
Front track	2wd	780 – 1280 mm
	4wd	875 – 1280 mm
Rear track		730 – 1298 mm
D. Ground clearance	2wd	294 – 366 mm
	4wd	235,5 – 257,5 mm

## WEIGHTS – BASIC TRACTORS

### NARROW

(Including ROPS and ballast support only)

2wd (14.9R28A8;7.50-16/6PR)	
Front	884 kg
Rear	1205 kg
Total	2089 kg
4wd (14.9R28A8;7.50-18/4PR)	
Front	1089 kg
Rear	1185 kg
Total	2269 kg
ROPS Weight	33 kg
Ballast Support	50 kg

### VINEYARD

(Including ROPS and ballast support only)

2wd Front		874 kg
	Rear	1195 kg
	Total	2069 kg
4wd Front		1054 kg
	Rear	1185 kg
	Total	2239 kg
ROPS Weight		33 kg
Ballast Support		50 kg

## WHEELS & TYRES, STANDARD

Narrow		
2wd Front	6.50-16	
	Rear	13.6 R28
4wd Front	7.50-18	
	Rear	13.6 R28
Vineyard		
2wd Front	6.00-16	
	Rear	12.4 R28
4wd Front	7.50-16	
	Rear	12.4 R28

## STANDARD EQUIPMENT

### Accelerator

Hand and foot controls

### Air Intake

Dry type with service indicator

### Alternator

45 Amp

### Battery

12 volt standard duty

### Brakes

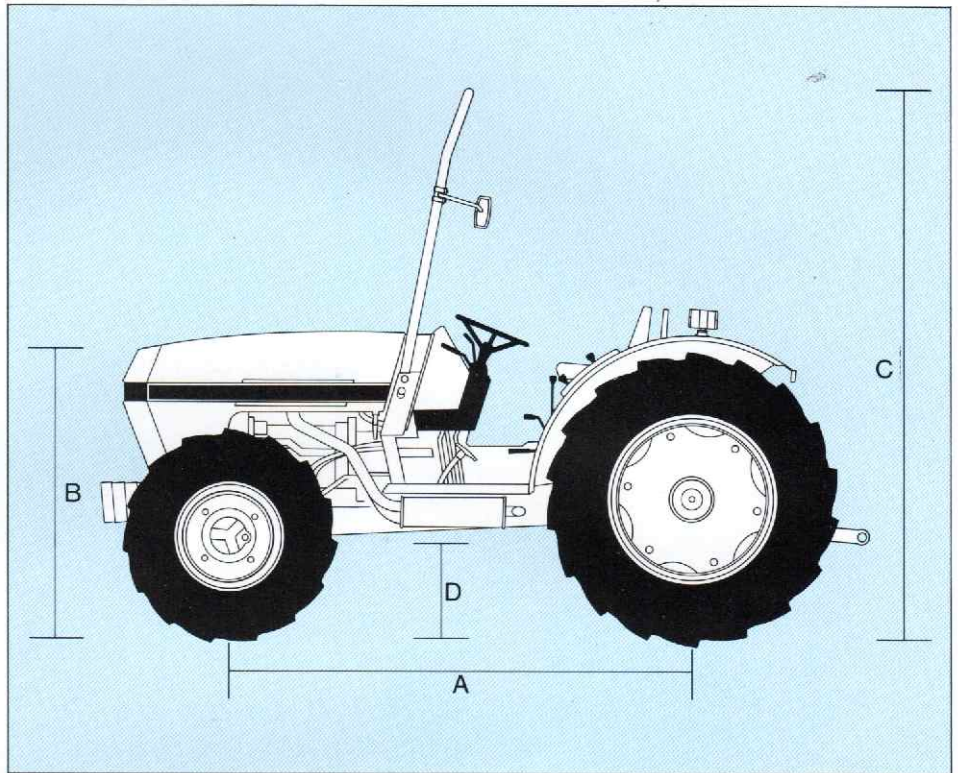
Wet multi-disc

### Clutch

Double dry plate for transmission and PTO

### Differential Lock

Foot operated



### Engine

4 cylinder direct injection, air cooled

### Fenders

Crown type rear

### Fuel Tank

Under hood

### Hitch

3 point category 1 or category 1N for Vineyard

### Hydraulics

Independent, draft and position control

### Hydraulic Valves

One single acting

### Instrumentation

Tachometer, fuel and water temperature gauges, warning lights for engine oil pressure, battery discharge, air filter restriction, headlamp beam

### Lighting

2 head, side and tail lights, direction indicators, hazard warning lights

### Muffler

Downswept

### Power Take Off

Single speed independent 540 rpm

### Seat

De luxe with fore-aft and height adjustment

### Steering

Hydrostatic power

### Transmission

12+12 speed synchromesh, 1.2-30 km/h  
Range – high - medium - low  
Speed – 4 speed  
Forward and reverse shuttle

### Weights

Front weight carrier 50kg with tow hitch

## OPTIONAL EQUIPMENT

### Drawbar

Short category 1/2 or category 1/2N

### Fenders

Front

### Hitches

Trailer hitch, swivel type, height adjustable

### Hydraulic valves

Single or double acting, up to 3 may be fitted

### Lighting

Rear work light

### Muffler

Vertical

### Power Take Off

Two speed independent 540/1000 rpm  
Two speed independent 540/750 rpm

### Transmission

8+8 speed synchromesh 2-30km/h  
12+12 creep speed synchromesh 0.4-30km/h  
Four wheel drive, centre line drive shaft, limited slip differential. Planetary hub reduction

### Weights

Front weights 25kg, up to 3 may be fitted

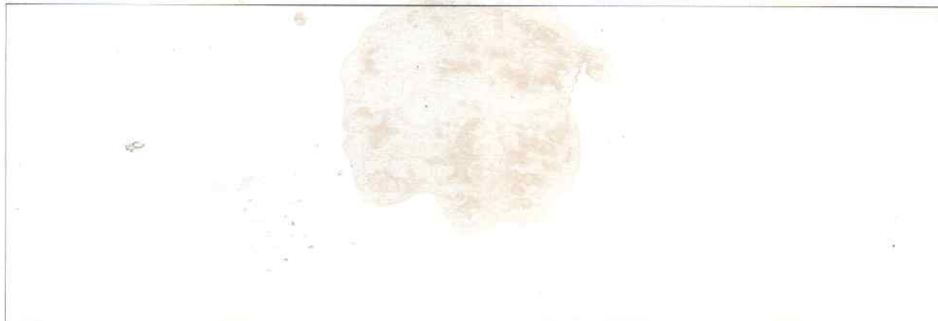
### Wheels and Tyres

Refer to price list



This literature has been published for worldwide circulation. As availability of equipment builds vary according to the country in which the equipment is to be used, the illustrations and text may include optional equipment and accessories and may not include all standard equipment. Your Case International Distributor/Dealer will be able to give you details of the products and their specifications available in your area.

The company's policy is one of continuous improvement and development. Therefore specifications are subject to change without notice. Whilst every effort is made to uphold accuracy within literature, the company accepts no responsibility for discrepancies which may occur between the specifications of its machines and the descriptions thereof contained in its publications.



Published by:  
**J I Case Europe Limited**  
Case House, PO Box 89  
85/89 High Street, Walton-on-Thames  
Surrey KT12 1DL, England

**J I Case**  
A Tenneco Company 