



MODEL 2150

Tractor

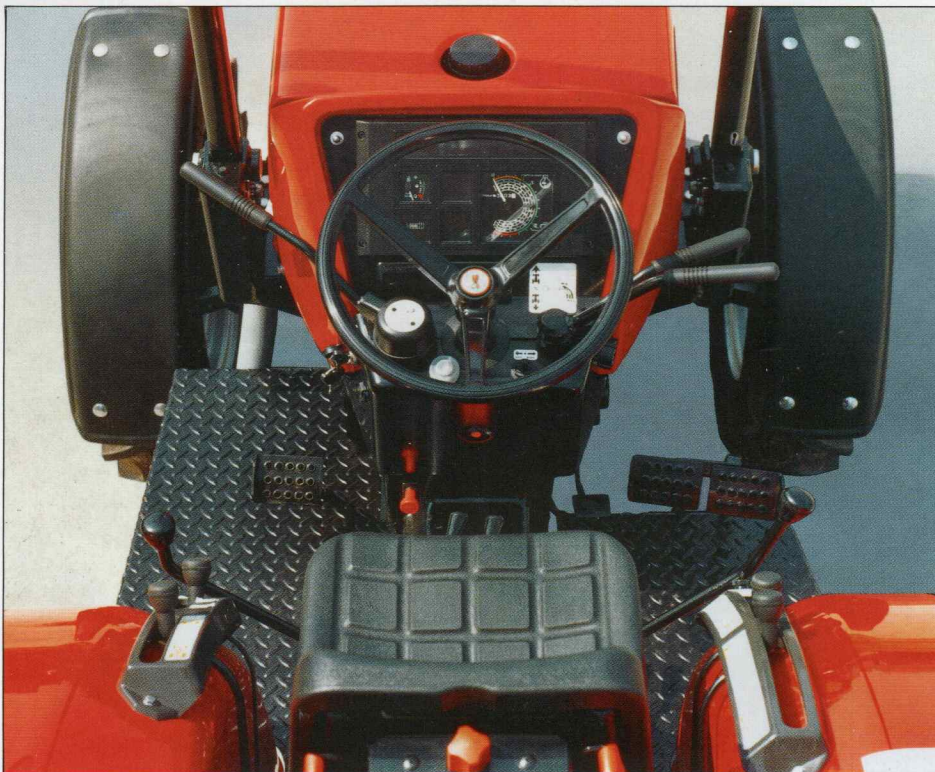
75 DIN net engine hp (55 kW)

12 Forward 12 Reverse Synchronesh Transmission

Narrow 4WD



2150 BASIC TRACTOR



MODEL

2150

ENGINE

Type	Four stroke direct injection, diesel
Power	75hp DIN 70020 at 2350 rev/min
Max. Torque	267 Nm at 1300 rev/min
Torque at Rated Speed	224 Nm at 2350 rev/min
Fuel at max. power	231g/kWh
Bore x Stroke	105 x 115.5 mm
No. of cylinders	4
Capacity	4000cc
Compression Ratio	17:1
Governed Range	650 – 2520 rev/min

CLUTCH

Type	Dry double disc independent hand operated PTO
Diameter	280 mm



TRANSMISSION

Standard synchromesh	12+12 speeds
Option	8+8 speeds 12+12 creeper

Ground Speed on Standard Tyres (in Km/h)

		Creep Option	
Forward	1	1.5	0.5
	2	2.4	0.7
	3	3.0	1.1
	4	3.7	1.5
	5	4.6	2.3
	6	5.5	3.4
	7	7.1	5.0
	8	8.6	7.1
	9	10.7	10.1
	10	13.1	14.9
	11	20.3	21.8
	12	30.6	30.1
Reverse	1	1.3	0.4
	2	2.0	0.6
	3	2.6	0.9
	4	3.1	1.3
	5	3.8	1.8
	6	4.6	2.9
	7	5.9	4.2
	8	7.2	5.9
	9	9.0	8.4
	10	11.0	12.5
	11	17.0	18.3
	12	25.7	25.7

Centre Mechanical
Front Drive

Easy shift
Engagement

POWER TAKE OFF

Type	540 rev/min or 540-1000 rev/min
No. of splines	6 (1 3/8" shaft DIN 9611A)
Engine revs at 540 rev/min PTO	2155 rev/min
Engine revs at 1000 rev/min PTO	2105 rev/min

HYDRAULIC SYSTEM

Max. Pressure	180kg/cm ² (±5kg/cm ²)
Flow	40 lit/min
Power	10kW
Linkage Lift	1975kg
Linkage Category	1 (convertible to Cat. 2)

BRAKES

Foot	Oil immersed multidisc
Diameter	165/110 mm (ext/int)
No. of discs	4 per side
Hand	Connected to main system

STEERING

Type	Hydrostatic
Steering wheel diameter	380 mm
System pressure	110kg/cm ² (90kg/cm ² for German version)
Flow at max. revs	40 lit/min (14 lit/min for German version)
Total revs (left to right)	4wd 3,4
Turning radius 4wd without brakes	425 cm

ELECTRICAL

Battery	12v 100Ah
Cold start current	420 Amp at -18°C
Alternator	14v, 45 Amp

CAPACITIES

Fuel Tank	60 lit
Engine	9,2 lit
Transmission case 4wd	38 lit

DIMENSIONS

(Min. and max. values depending on tyres: See the relative enclosed sheets)

A. Wheelbase 4wd	2075 mm
B. Bonnet Height 4wd	1255 – 1296 mm
C. ROPS 4wd	2415,5 – 2506,5 mm
Front track 4wd	1098 – 1280 mm
Rear track	850 – 1648 mm
D. Ground clearance 4wd	235,5 – 301,5 mm

WEIGHTS – BASIC TRACTORS

(Including ROPS and ballast support only)
4wd (14.9R28A8;10.5–18MPT6PR)

Front	1094 kg
Rear	1185 kg
Total	2279 kg
ROPS Weight	33 kg
Ballast Support	50 kg

WHEELS & TYRES, STANDARD

Narrow 4wd Front	10.5-18
Rear	14.9 R28

STANDARD EQUIPMENT

Accelerator

Hand and foot controls

Air Intake

Dry type with service indicator

Alternator

45 Amp

Battery

12 volt standard duty

Brakes

Wet multi-disc

Clutch

Double dry plate for transmission and PTO

Differential Lock

Foot operated

Engine

4 cylinder direct injection, air cooled

Fenders

Crown type rear

Fuel Tank

Under hood

Hitch

3 point category 1/2

Hydraulics

Independent, draft and position control

Hydraulic Valves

One single acting

Instrumentation

Tachometer, fuel and water temperature gauges, warning lights for engine oil pressure, battery discharge, air filter restriction, headlamp beam

Lighting

2 head, side and tail lights, direction indicators, hazard warning lights

Muffler

Downswept

Power Take Off

Single speed independent 540 rpm

Seat

De luxe with fore-aft and height adjustment

Steering

Hydrostatic power

Transmission

12+12 speed synchromesh, 1.2-30 km/h

Range – high - medium - low

Speed – 4 speed

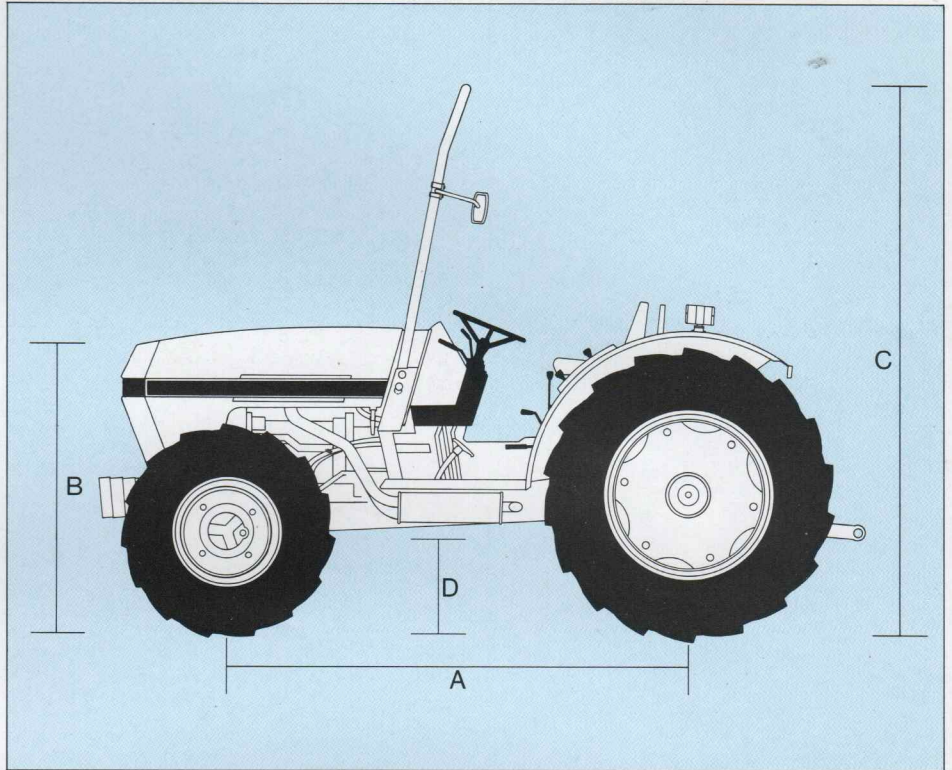
Forward and reverse shuttle

Four wheel drive, centre line drive shaft,

limited slip differential, planetary hub reduction

Weights

Front weight carrier 50kg with tow hitch



OPTIONAL EQUIPMENT

Drawbar

Short category 1/2

Fenders

Front

Hitches

Trailer hitch, swivel type, height adjustable

Hydraulic valves

Single or double acting, up to 3 may be fitted

Lighting

Rear work light

Muffler

Vertical

Power Take Off

Two speed independent 540/1000 rpm

Two speed independent 540/750 rpm

Transmission

8+8 speed synchromesh 2-30km/h

12+12 creep speed synchromesh 0.4-30km/h

Weights

Front weights 25kg, up to 3 may be fitted

Wheels and Tyres

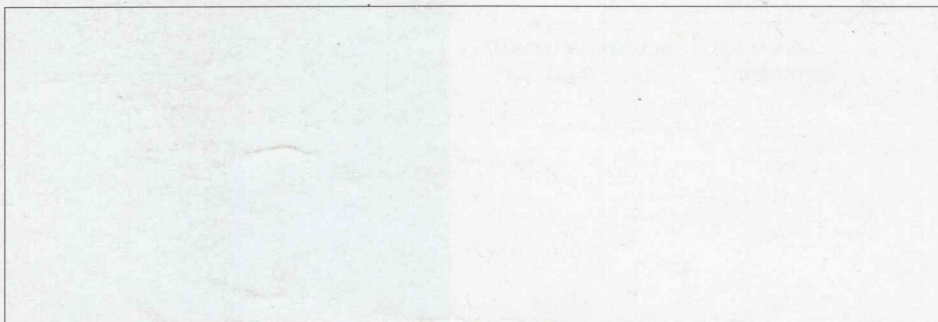
Refer to price list





This literature has been published for worldwide circulation. As availability of equipment builds vary according to the country in which the equipment is to be used, the illustrations and text may include optional equipment and accessories and may not include all standard equipment. Your Case International Distributor/Dealer will be able to give you details of the products and their specifications available in your area.

The company's policy is one of continuous improvement and development. Therefore specifications are subject to change without notice. Whilst every effort is made to uphold accuracy within literature, the company accepts no responsibility for discrepancies which may occur between the specifications of its machines and the descriptions thereof contained in its publications.



Published by:
JI Case Europe Limited
Case House, PO Box 89
85/89 High Street, Walton-on-Thames
Surrey KT12 1DL, England

JI Case
A Tenneco Company 