



MODELS 695, 895

# Tractors

---

Utility 2WD and MFD

---

46 (62 hp), 54 (72 hp) PTO kilowatt

---



# 695, 895 TRACTORS

The Case International 695, 895 tractors are ideal for handling the biggest, toughest, heaviest jobs on a midsize farm. It takes on open field work from heavy tillage to cultivating, plus feedlot jobs and mowing. Big power in a midsize package provides greater job handling capacity.

## GENERAL FEATURES

### CASE INTERNATIONAL 4-CYLINDER DIESEL

Here's an engine with power and stamina for hard, continuous work. High-torque reserve enables the 695, 895 to move through tough spots without shifting to a lower gear. Direct fuel injection saves fuel.

### POWERSHIFT SYNCHROMESH TRANSMISSION

Two-speed powershift transmission provides 16 uniformly spaced forward speeds and 8 reverse speeds. You get a just-right speed to get maximum output from a property sized implement, with top fuel economy at the same time. On-the-go powershift is provided by means of an electro-hydraulic control switch conveniently located on instrument panel.

### HIGH-CAPACITY HYDRAULIC PUMP

The pump handles all hydraulic components with ease and provides fast response at the 3-point hitch. Standard pump capacity 68.5 L/min. (15.1 gpm).

### MFD (Mechanical Front Wheel Drive) (Optional)

The MFD option features electro-hydraulic on-the-go switch engage/disengage, limited slip differential centre drive shaft and drive shaft shield protection.

## SPECIFICATIONS

### ENGINE

#### 695

Max kW measured at 2400 rpm  
S.A.E. gross engine .....53 (72 hp)  
S.A.E. net engine .....50.7 (68 hp)  
PTO .....46 (62 hp)

Max gross torque Nm  
at 1600 rpm .....252  
applicable

Make and  
model .....Case International D-239  
Piston displacement .....3.91 L (239 in<sup>3</sup>)  
Number of cylinders .....4  
Type cylinder sleeve .....Wet  
Speed, rated full load .....2400 rpm  
Governed speed range .....650-2705 rpm  
Bore and stroke .....98.0 x 128.6 mm  
(3.88" x 5.06")  
Compression ratio .....15.1:1

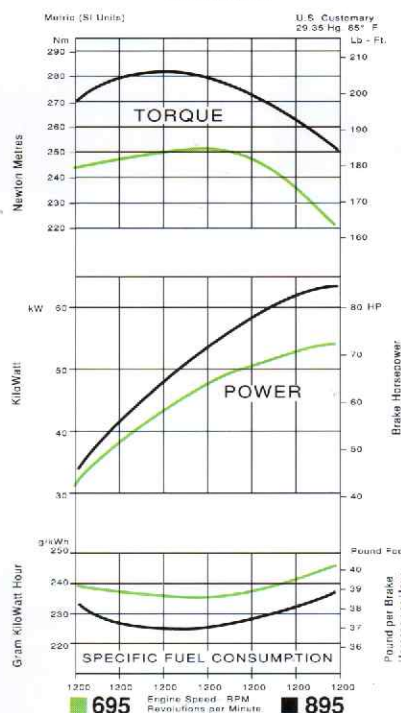
#### 895

Max kW measured at 2400 rpm  
S.A.E. gross engine .....62 (84 hp)  
S.A.E. net engine .....58.91 (79 hp)  
PTO .....53.69 (72 hp)

Max gross torque Nm  
at 1600 rpm .....277

Make and  
model .....Case International D-268  
Piston displacement .....4.39 L (268 in<sup>3</sup>)  
Number of cylinders .....4  
Type cylinder sleeve .....Wet  
Speed, rated full load .....2400 rpm  
Governed speed range .....650-2650 rpm  
Bore and stroke .....100 x 140 mm  
(3.94" x 5.51")  
Compression ratio .....15.1:1

### ENGINE PERFORMANCE CURVES



### FLUID CAPACITY

Fuel tank ROPS .....75.7 L (16.7 gal)  
Fuel tank, cab .....111.7 L (24.6 gal)  
Cooling system .....13.7 L (3.0 gal)  
Engine lube oil w/filter .....9.8 L (2.16 gal)  
Transmission and  
hydraulic reservoir .....34.0 L (7.5 gal)

### TRANSMISSION

#### Standard

Two-speed powershift with 16 speeds forward, 8 speeds reverse, synchronised shifts within each of two ranges.

#### Creep option

Provides 8 forward speeds and 4 reverse speeds standard plus 8 forward and 4 reverse creep speeds.

### APPROXIMATE SPEEDS in km/h (mph) 695 Standard & Powershift transmission w/18.4 x 30 tyres

Range	Gear	Direct		Powershift	
		km/h (mph)	km/h (mph)	km/h (mph)	km/h (mph)
LOW	1	2.83 (1.76)	2.35 (1.46)		
	2	4.60 (2.86)	3.82 (2.37)		
	3	6.23 (3.87)	5.16 (3.21)		
	4	8.01 (4.97)	6.64 (4.12)		
HIGH	1	10.87 (6.75)	9.01 (5.60)		
	2	17.66 (10.97)	14.64 (9.09)		
	3	23.87 (14.82)	19.79 (12.29)		
	4	30.70 (19.07)	25.46 (15.81)		
REV	1	3.40 (2.11)	2.82 (1.75)		
	2	5.53 (3.44)	4.59 (2.85)		
	3	7.47 (4.64)	6.20 (3.85)		
	4	9.61 (5.97)	7.97 (4.95)		

### Creep transmission w/18.4 x 30 tyres

Range	Gear	Direct		Creep	
		km/h (mph)	km/h (mph)	km/h (mph)	km/h (mph)
LOW	1	2.83 (1.76)	0.32 (0.20)		
	2	4.60 (2.86)	0.53 (0.33)		
	3	6.23 (3.87)	0.72 (0.45)		
	4	8.01 (4.97)	0.92 (0.57)		
HIGH	1	10.87 (6.75)	1.24 (0.77)		
	2	17.66 (10.97)	2.03 (1.26)		
	3	23.87 (14.82)	2.72 (1.69)		
	4	30.70 (19.07)	3.52 (2.19)		
REV	1	3.40 (2.11)	0.39 (0.24)		
	2	5.53 (3.44)	0.64 (0.40)		
	3	7.47 (4.64)	0.85 (0.53)		
	4	9.61 (5.97)	1.11 (0.69)		

18.4 x 30 rolling radius .....694.9 mm  
(27.36 in.)

### 895 Standard & Powershift transmission w/18.4 x 30 tyres

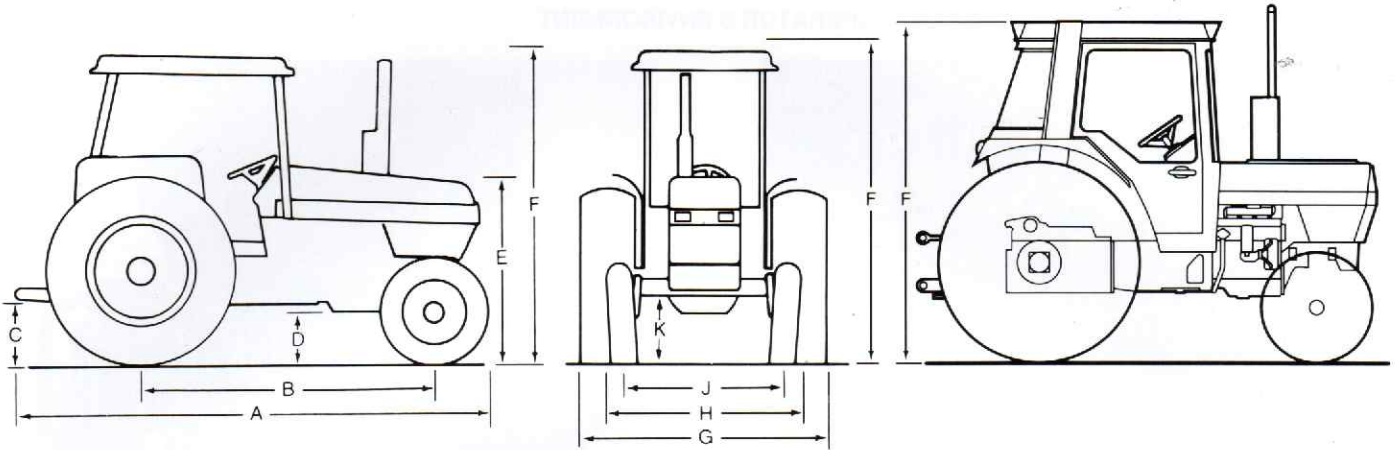
Range	Gear	Direct		Powershift	
		km/h (mph)	km/h (mph)	km/h (mph)	km/h (mph)
LOW	1	2.95 (1.83)	2.45 (1.52)		
	2	4.76 (2.96)	3.94 (2.45)		
	3	6.46 (4.01)	5.35 (3.33)		
	4	8.31 (5.16)	6.89 (4.28)		
HIGH	1	11.26 (7.00)	9.33 (5.80)		
	2	18.29 (11.37)	15.17 (9.43)		
	3	24.76 (15.38)	20.63 (12.75)		
	4	31.85 (19.79)	26.40 (16.41)		
REV	1	3.52 (2.19)	2.93 (1.82)		
	2	5.74 (3.57)	4.76 (2.96)		
	3	7.75 (4.82)	6.43 (3.99)		
	4	9.97 (6.19)	8.27 (5.14)		

### Creep transmission w/18.4 x 30 tyres

Range	Gear	Direct		Creep	
		km/h (mph)	km/h (mph)	km/h (mph)	km/h (mph)
LOW	1	2.95 (1.83)	0.34 (0.21)		
	2	4.76 (2.96)	0.55 (0.34)		
	3	6.46 (4.01)	0.74 (0.46)		
	4	8.31 (5.16)	0.95 (0.59)		
HIGH	1	11.26 (7.00)	1.29 (0.80)		
	2	18.29 (11.37)	2.09 (1.30)		
	3	24.76 (15.38)	2.82 (1.75)		
	4	31.85 (19.79)	3.64 (2.26)		
REV	1	3.52 (2.19)	0.40 (0.25)		
	2	5.74 (3.57)	0.66 (0.41)		
	3	7.75 (4.82)	0.89 (0.55)		
	4	9.97 (6.19)	1.14 (0.71)		

18.4 x 30 rolling radius .....720 mm  
(28.35 in.)

# 695, 895 TRACTORS



695 APPROXIMATE OVERALL DIMENSIONS ROPS/CAB MODELS

	A	B	C	D	E	F	G	H	J	K	
Model Style	Wheel Equipment	Overall Length	Wheel Base	Drawbar* Height	Under Frame Clearance	Hood Height	Height to top of ROPS/CAB	Overall Width	Rear Wheel tread Width	Front Wheel tread Width	Under Front Axle Clearance
Utility-ROPS	7.50 x 16	3.61 m	2.25 m	406 mm	439 mm	1.5 m	2.45 m	1.9 m	1.47 to 1.88 m	1.32 to 1.96 m	528 mm
2WD	16.9 x 30	(142")	(88.7")	(16.0")	(17.3")	(60")	(96.5")	(75")	(58 to 74")	(52 to 77")	(20.8")
Utility - CAB	7.50 x 16	3.61 m	2.25 m	406 mm	439 mm	1.5 m	2.55 m	1.9 m	1.47 to 1.88 m	1.32 to 1.96 m	528 mm
2WD	16.9 x 30	(142")	(88.7")	(16.0")	(17.3")	(60")	(100.4")	(75")	(58 to 74")	(52 to 77")	(20.8")
Utility-ROPS	9.5 x 24	3.7 m	2.24 m	406 mm	305 mm	1.5 m	2.38 m	1.9 m	1.47 to 1.88 m	1.32 to 1.85m	368 mm
MFD	16.9 x 30	(145.6")	(88")	(16.0")	(12")	(57.9")	(93.5")	(75")	(58 to 74")	(52 to 73")	(14.5")
Utility - CAB	9.5 x 24	3.7 m	2.24 m	406 mm	305 mm	1.5 m	2.55 m	1.9 m	1.47 to 1.88 m	1.32 to 1.85 m	368 mm
MFD	16.9 x 30	(145.6")	(88")	(16.0")	(12")	(57.9")	(100.4")	(75")	(58 to 74")	(52 to 73")	(14.5")

895 APPROXIMATE OVERALL DIMENSIONS ROPS/CAB MODELS

Utility-ROPS	7.50 x 18	3.62 m	2.25 m	447 mm	462 mm	1.49 m	2.47 m	1.98 m	1.52 to 1.93 m	1.42 to 1.96 m	558 mm
2WD	18.4 x 30	(142")	(88.7")	(17.6")	(18.2")	(58.7")	(97.4")	(78")	(60 to 76")	(56 to 77")	(22")
Utility - CAB	7.50 x 18	3.62 m	2.25 m	447 mm	462 mm	1.49 m	2.60 m	1.98 m	1.52 to 1.93 m	1.42 to 1.96 m	558 mm
2WD	18.4 x 30	(142")	(88.7")	(17.6")	(18.2")	(58.7")	(102")	(78")	(60 to 76")	(56 to 77")	(22")
Utility-ROPS	11.2 x 24	3.75 m	2.24 m	447 mm	328 mm	1.51 m	2.47 m	1.98 m	1.52 to 1.93 m	1.36 to 1.82m	394 mm
MFD	15.4 x 30	(147.5")	(88")	(17.6")	(12.9")	(59.5")	(97.4")	(78")	(60 to 76")	(54 to 72")	(15.5")
Utility - CAB	11.2 x 24	3.75 m	2.24 m	447 mm	328 mm	1.51 m	2.6 m	1.98 m	1.52 to 1.93 m	1.36 to 1.82 m	394 mm
MFD	18.4 x 30	(147.5")	(88")	(17.6")	(12.9")	(59.5")	(102")	(78")	(60 to 76")	(54 to 72")	(15.5")

\* Note: Dimension is taken from the top edge of the drawbar down to the ground surface.

Centreline of the axle (rear) to the top of the drawbar 268 mm (10.55").

## HYDRAULICS

Open-centre system, gear pump type. Standard single hydraulic valve with power-beyond manifold, 2nd valve std. on XL, including ISO couplers. Optional second and third valves with couplers.

Operating pressure .....2500 psi  
Pump capacity  
Standard.....68.5 L/min. (15.1 gpm)

## HITCH

Category II 3-lever control for draft, position and raise response. Outside check chains with stabilizers. Lower links standard, 838 mm (33") fixed; 838 mm (33") telescoping standard.

Lift capacity 610 mm (24") behind lift  
links .....1662 kg  
Lift at hitch ball (horizontal) .....2380 kg

## FRONT AXLES

**Dynamic\***  
Straight adjustable (standard) .....2802 kg  
MFD.....3368 kg

## REAR AXLE

Flange style. Differential lock.

**Dynamic\***  
4203 kg

\* Moving measurement working off-road with wheel tread at 1.52 m (60").

## WEIGHT

Approximate shipping weight of tractor w/hitch, protective frame, drawbar, one hydraulic valve, PTO, standard tyres, coolant - less fuel, ballast, weights.

695	ROPS	CAB
Utility 2WD	2595 kg	2957 kg
Utility MFD	3078 kg	3441 kg
895	ROPS	CAB
Utility 2WD	2751 kg	3114 kg
Utility MFD	3276 kg	3691 kg

## TYRES

### 695

**2WD** Rear 18.4 x 30/6 Front 7.50 x 16/6

### MFD Matching Wheel Equipment

Rear 18.4 x 30/6 Front 12.4 x 24/6  
13.6 x 38/6 12.4 x 24/6  
14.9 x 38/6 12.4 x 24/6

### 895

**2WD** Rear 18.4 x 30/6 Front 7.50 x 16/6  
18.4 x 34/6 10.00 x 16/6 (XL)

### MFD Matching Wheel Equipment

Rear 18.4 x 30/6 Front 12.4 x 24/6  
14.9 x 38/6 12.4 x 24/6  
18.9 x 34/6 12.4 x 24 (XL)

## TURNING RADIUS

No brakes  
Utility .....3.8 m (12.5')  
MFD engaged .....4.5 m (14.8')  
With brakes  
Utility .....3.4 m (11.0')  
MFD engaged .....3.4 m (11.0')

## OTHER STANDARD EQUIPMENT

Accelerator - hand and foot control  
Alternator, 45 amp (75 amp w/cab)  
Antifreeze/Coolant  
Brake 254 mm (10") single disc, self-adjusting (wet hydraulic w/dual pedal safety lock)  
Clutch - self-adjusting, 305 mm (12") diameter dry "Dyna-Life" disk w/six cerametallic wear pads  
Dry-type air cleaner with safety element  
12-volt 650-CCA 170-min. reserve capacity electrical system with battery ignition, key start

Instrument panel - glare-free lighting; includes air cleaner service light, alternator light, electric fuel gauge, engine temperature gauge, oil pressure light, tachometer and hourmeter  
Lighting system - 2 front in grille, 1 combination rear, 2 flashing amber w/turn signal control and 7-terminal electric break-away connector

## Mounting step

\* Muffler, vertical w/curved exhaust end  
Parking brake w/warning light  
Electric Horn  
Drawbar clevis  
Power steering, hydrostatic - 11.4 L/min. (3.0 gpm) priority flow, and 3 turns lock-to-lock; MFD, 4.4 turns  
Power take-off, independent, dual shaft, hydraulically actuated 540/1000 rpm PTO with shield and shaft covers  
Pressurized transmission lubrication system with warning light  
Protective frame, ROPS (SAE-OSHA)  
Seat, deluxe, w/adjustable suspension  
Swinging drawbar

## OTHER OPTIONAL EQUIPMENT

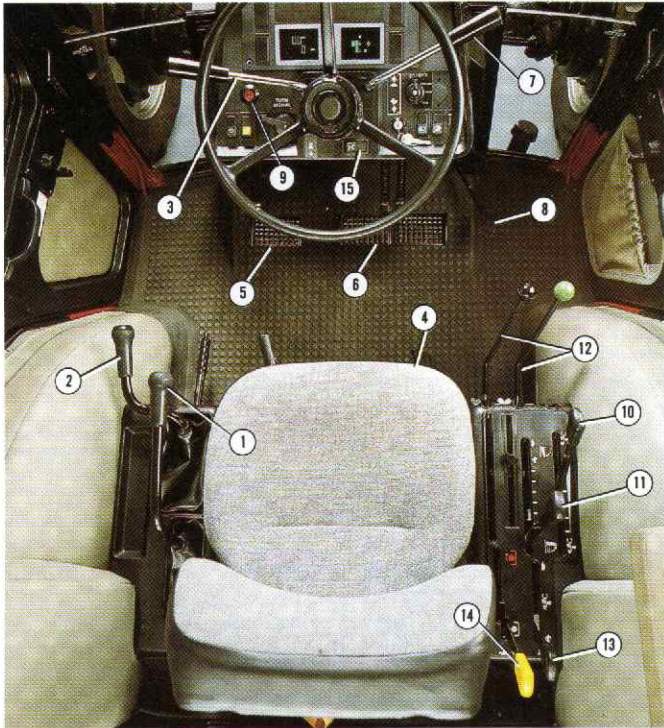
Canopy for protective frame (ROPS)  
Front end and rear wheel weights

\* Spark Arrestor mandatory in some states of Australia.

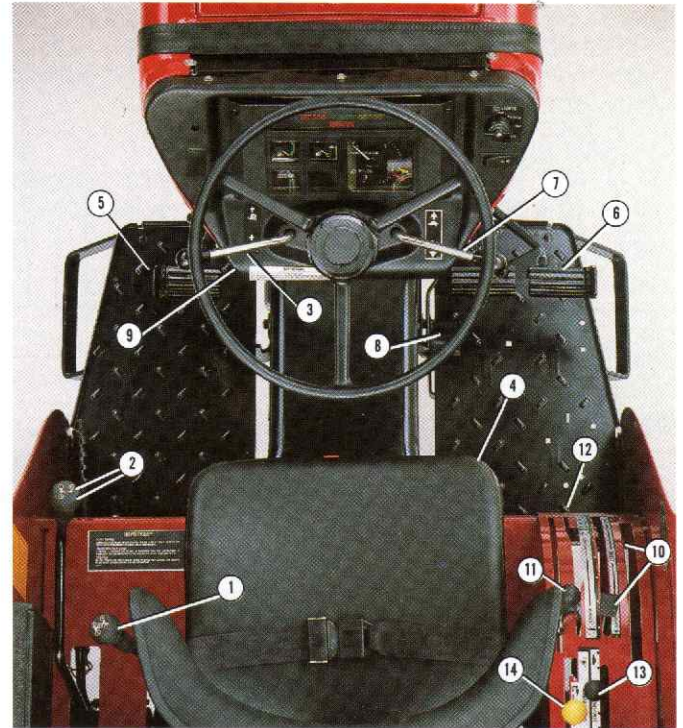
## LOADERS

Case International loaders designed for the 695 and 895 are available.

## OPERATOR'S ENVIRONMENT



**Cab models**



**ROPS models**

### 4-post ROPS

#### OPERATIONAL ITEMS

Operating controls – functions of the tractor and attaching implements

1. Synchromesh speed selection lever
2. Range selection lever

#### CAB FEATURES

- ISO-mounted, reducing vibration and sound
- Flat deck with left and right side doors
- Doors, gas spring operated, rearward opening
- Full vision front and rear windows with no obstructions
- Rear window opening, gas spring operated, clear vision without corner posts
- Roof ventilation hatch, gas spring operated
- Super deluxe padded interior with sound dampening material
- Console operator controls, left side transmission, right side hydraulic and hitch controls (state-of-the-art in human engineering)
- Deluxe 4-way-adjustable, deep-padded fabric seat
- Vacuum fluorescent instrument panel
- Heater and air conditioner standard; air vents ceiling-mounted for upper body, front windshield and side door window vents lower pillar-mounted for lower body
- Full-width sun visor

3. Powershift selection lever with powershift option, or F/R lever with shuttle option, or creeper engagement lever with creeper option
4. Differential lock pedal
5. Clutch pedal
6. Brake pedals with brake pedal latch
7. Engine speed control lever
8. Foot accelerator pedal

- Rear roof-mounted working light standard, with lever adjustment control inside cab
- Two front roof-mounted lights, optional
- 75-amp alternator standard with cab
- Windshield wiper and washer standard
- Right and left door-mounted rearview mirrors, linkage collapsible on hitting obstruction
- Radio-ready-includes wiring and speakers
- Rear windshield wiper optional

#### CAB SPECIFICATIONS

Total glass area .....2.7m<sup>2</sup> (29.02 ft<sup>2</sup>)  
 Cab size .....3.28 m<sup>3</sup> (115.83 ft<sup>3</sup>)  
 Type of glazing .....tinted tempered glass  
 Air intake location and air filter locations.....above entryway, both sides  
 Blower design ...double radial pressurised  
 Blower speeds (3) .....low, high, purge  
 Blower location .....front centre above headliner  
 Type recirculation control .....adjustable louvre, lever operated

9. Engine stop control
10. Draft control lever
11. Position control lever
12. Remote valve levers
13. Hitch raise response lever
14. Independent PTO engage/disengage lever
15. MFD engage/disengage switch

Important: The JI Case Company reserves the right to make improvements in design and changes in specifications at any time without notice and without incurring obligation to install them on any units previously sold.  
 Attention Readers: Local availability, standard specifications and options may vary from those listed or illustrated in this publication. Your local Case branch or dealer will gladly advise concerning availability and recommended specifications.

**Accredited to AS3901  
 Standard for Quality Control**

#### JICase (Australia) Pty. Ltd.

A.C.N. 000 031 130  
 A Tenneco Company  
 Kurrajong Ave., St Marys N.S.W. 2760  
 Telephone: (02) 673 7777



New Zealand Operations:  
 25 Saleyards Road,  
 Otahuhu, Auckland,  
 Telephone: (09) 270 0250