



## High Precision Multi-line Planting



The new **STAR** from Stanhay is the most accurate, versatile and reliable precision vacuum seed drill in the world. Using the proven, award winning, Metering Unit from the Singulair the **STAR** is unique in its ability to sow natural and pelleted seeds in 1, 2, 3 and now 4 lines from each unit, the **STAR** saves you time and money. The very best quality produce is achievable due to the **STAR's** ability to accurately plant all vegetable and salad crop seeds.

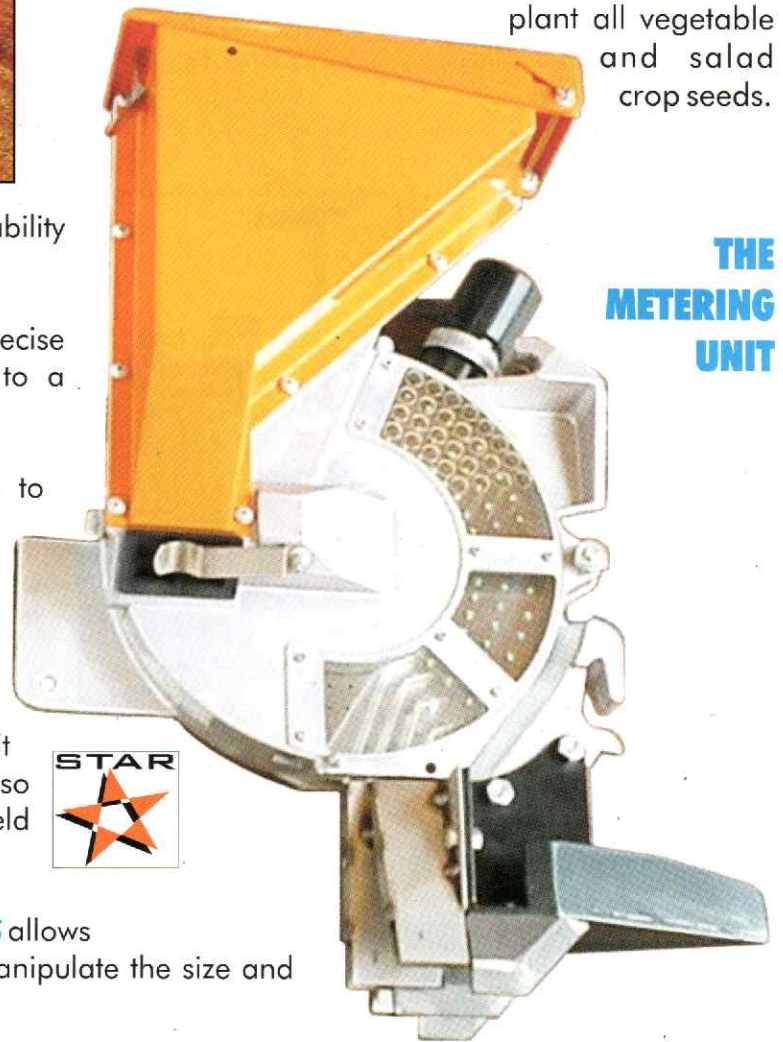
**VERSATILITY** of the **STAR** is the key contributor to its ability to pay for itself over and over again.

**SAVINGS ON SEED** costs can be made due to the precise selection of individual seeds, reducing wastage to a minimum.

**HIGH MARKETABLE YIELDS** are achieved due to uniformly shaped crops produced by accurate seed placement in either 1, 2, 3, or 4 lines.

**PERFORMANCE AND RELIABILITY** to a level never seen before from any planter on the market, thanks to over 50 years of precision planting experience. The design of the new **STAR** row unit makes adjustments to the planter quick and easy, so enabling the user to adapt it to changing field conditions.

**A WIDE CHOICE OF COULTERS AND SEED DISCS** allows you to plant in specific patterns and densities to manipulate the size and shape of your crop.



**THE  
METERING  
UNIT**



**ASK YOUR STANHAY DEALER ABOUT THE RANGE AVAILABLE.**



Single Line



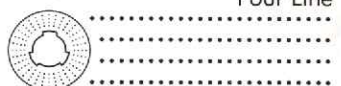
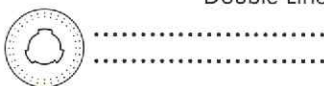
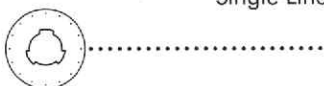
Double Line



Triple Line



Four Line



# High Precision Multi-line Planting

Drive to the **STAR** Metering Units can be by Stanhay's close ratio chain drive system (pictured right), or by hydraulic motor, with spacing and calibration controlled and monitored in-cab by the Dickey John Land Manager (pictured below). The Land Manager can control two motors independently, allowing the control of a granular or liquid applicator to be facilitated independently of the drill.



## STAR

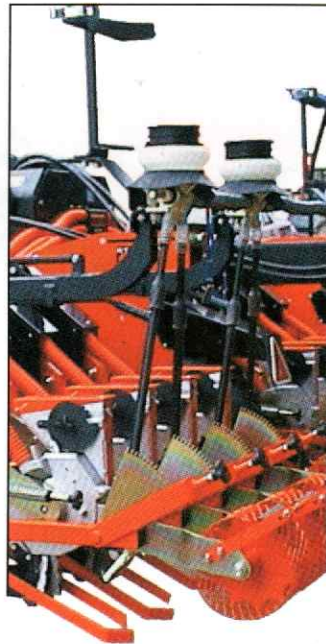
Two new transport systems are available for the **STAR**. Choose from the new hydraulic End-tow or the new hydraulic Stacker.

### THE END TOW



### APPLICATORS

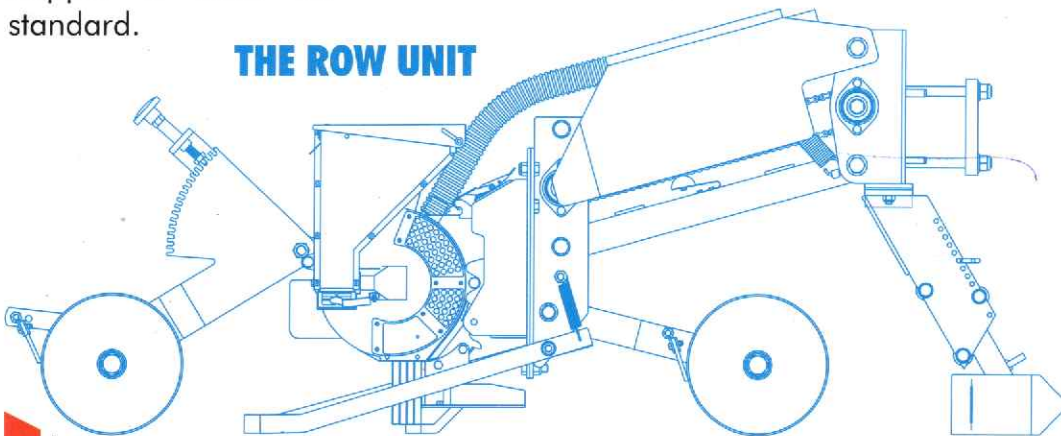
For the precise application of granular soil pesticides. Fishtails or spouts are available. When using Surefil hoppers a special adaptor, as shown in the picture (right), can be specified. A 35 litre hopper is fitted as standard.



### STANDARD SPECIFICATIONS

- Adjustable pressure parallel linkage
- Rubber zero pressure front row unit wheels
- 120mm cage with cleaner rear row unit wheels
- Adjustable pressure to chassis arms
- Easy rear wheel quadrant depth adjustment
- 2 litre seed hopper
- 75mm 3 line Hyline deep fin coulters
- Arm or drag coverers

### THE ROW UNIT



### VARIABLES & EXTRAS

- Hopper extensions
- Seed press wheels
- Clod deflectors
- Weight off spring
- Choice of row unit wheels
- Drive systems
- Applicators - Chemical
- Fertilizer
- Markers - Manual or hydraulic
- Rotation monitor
- Toolbars - Rigid
- Hydraulic end tow
- Stacker
- Tramlining

### Stanhay Webb Limited

Invicta Works, Houghton Road, Grantham, Lincs NG31 6JE  
 Tel: +44 (0) 1476 515500 Fax: +44 (0) 1476 515501  
 e-mail: sales@stanhay.com www.stanhay.com

