

FARMGARD

'EZY - SET' GRADER BLADES

"The new Generation range of Grader Blades Based on a U.S. design concept for Higher H.P. 4. W.D. Tractors of Today"



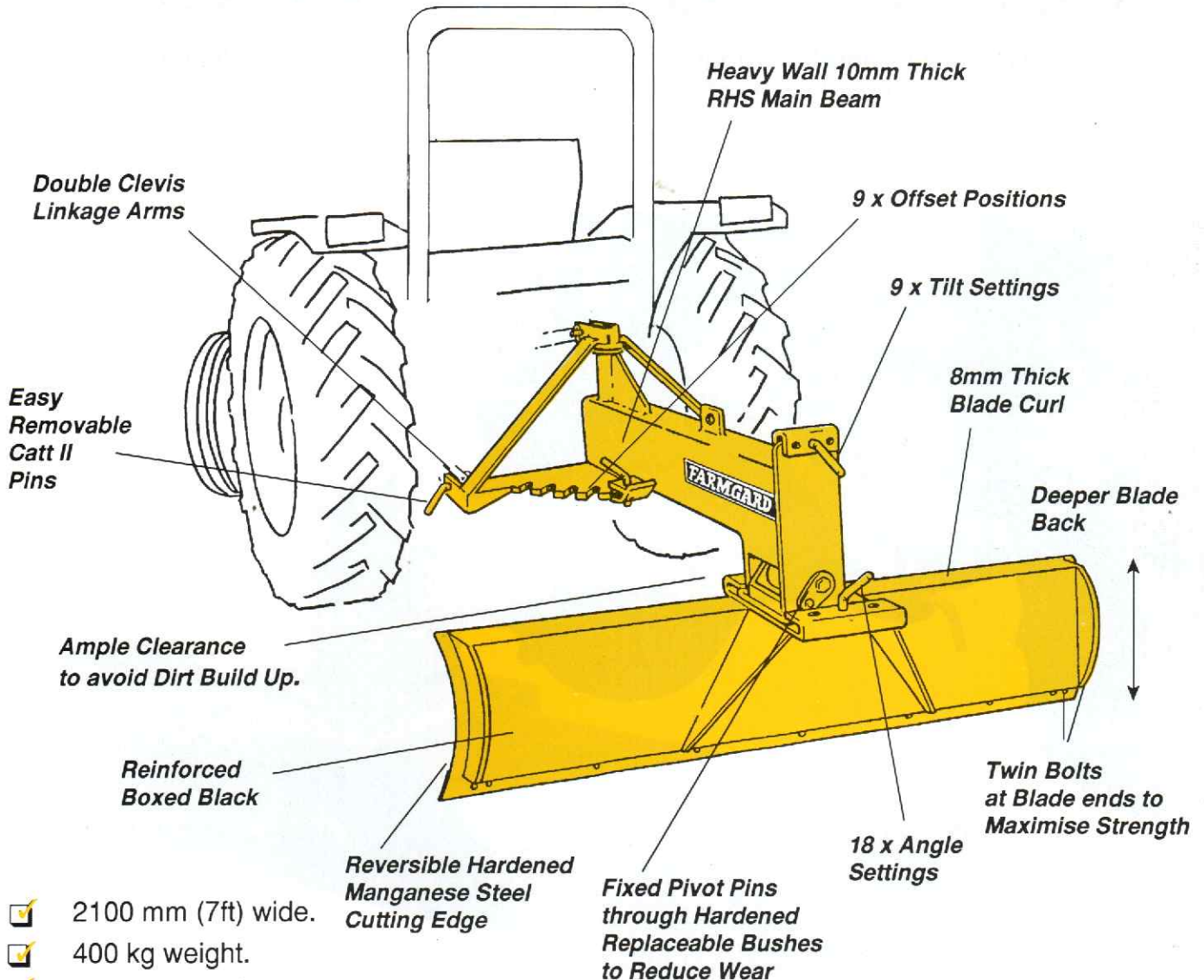
400 KG's OF STRENGTH & "REAL" BITE!

Industrial - 400

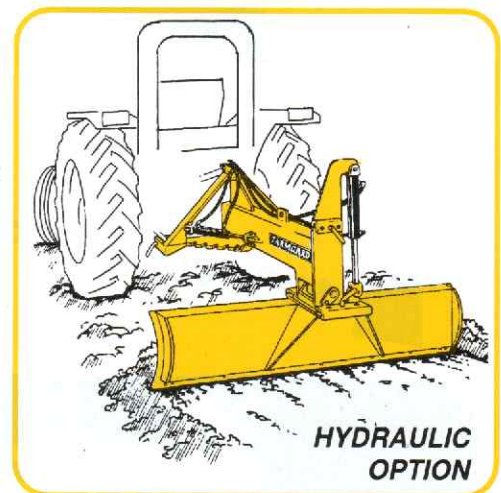
(FORMERLY EZY SET 80)

SPECIFICATIONS

Industrial - 400



- ✓ 2100 mm (7ft) wide.
- ✓ 400 kg weight.
- ✓ Suit Tractors 70 Hp upwards.
- ✓ Fully reversible for back blading.
- ✓ All adjustment pins supported through 3 x thickness of steel to minimise wear.
- ✓ Converts to hydraulic controls if required at a later date - available at your Farmgard dealer.
- ✓ Convenient parking stand.
- ✓ Optional standard or industrial levelling wheel available.
- ✓ Unique design gives 85% of total blade weight over cutting edge for better bite.
- ✓ Carries Farmgard Guarantee



DISTRIBUTED BY:



FARMGARD
EQUIPMENT COMPANY

21 Andrew Baxter Drive, Mangere, Auckland, N.Z.
P.O. Box 13354. Telephone (09) 275 5555

YOUR LOCAL DEALER