

HOLDER // // //

C240 MULTIPARK



OVER 100 YEARS OF HERITAGE



Sander/Utility Box Combination

Up to 3/4 yard capacity with double acting hydraulic lift
The utility box can also be used as a tool carrier for summer use

A TRUE ALL SEASON MU

C240 MU



Rotary Mower

Clean cutting rotary mowers are available in several widths starting at 60 inches
Flail mowers are also available

100 gallon water tank provides dust free operation



Sweeper

Angle sweeper is available in a 50 or 60 inch width

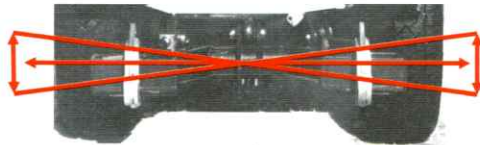
Overhead work lights for improved visibility

Overhead window with sun shade

Front and rear windows can be raised and the doors can be removed for summer applications

Flat face hydraulic couplers are installed in an upright position to prevent contamination

540 RPM with performance enhancing load sensing



Front arms oscillate 15 degrees to follow the contour of the landscape

Stabilizer system provides full power to the ground

1-888-TRACTOR

MULTI-PURPOSE VEHICLE

MULTIPARK



Plow

Angle plow offers a 50 or 60 inch width with a trip design

Excellent all around visibility (9 windows) with breakaway mirrors



Conveniently located, joystick enhanced controls

Air ride seat

Cab tilts up and forward for easy maintenance

45 HP Kubota turbo Diesel engine

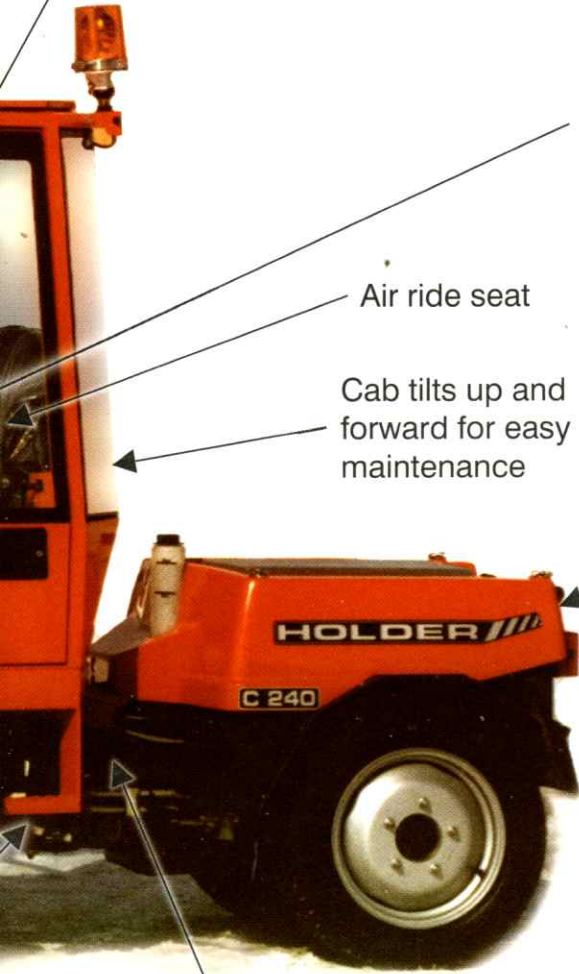


Anti-Icing/Dust Control

This system is made effective with a 100 gallon tank located over the engine

Snowblower

High performance Holder snowblowers are available in widths starting at 42 inches

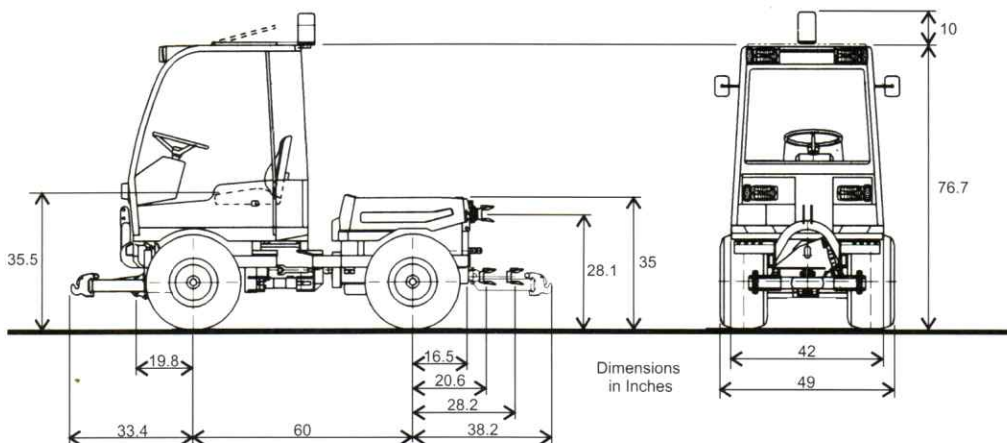


The C240 oscillates 15 degrees and articulates to provide a 3.8 foot turning radius (inside diameter)

www.HOLDER.on.ca

C240 Specifications

Type	C240	Braking System	Hydraulic drum brakes, with mechanical hand brake
Construction	Frame type construction with articulated design	Hydraulic Pump	8.09 CCM/U 6.3 GPM (24 L/MIN)
Engine	Kubota V-1505TE Water-cooled Turbo Diesel 45 HP (31 KW) @3000 RPM	Working Hydraulic Pressure	2205 PSI (150 BAR)
Drive System	Hydrostatic Four Wheel Drive	Hydraulic Oil Capacity	4.2 gallons (16 litres)
Differential Lock	Electric over hydraulic locking on all four wheels simultaneously	Fuel Tank Capacity	7.1 gallons (27 litres)
Ground Speed	Range 1: 20 mph (30 kph) Range 2: 10 mph (15 kph)	Power Take Off	Standard 1 3/8", 6 spline shaft Electric clutch engagement
Track Width	42 inches (106.7 cm) 49 inches (124.5 cm)	Front: Rear:	540 is Standard Equipment 540 Optional
Cabin Width	41.3 inches (104.9 cm)	Three Point Lift System	Front three point is standard equipment Optional rear three point
Cabin	Standard Equipment	Lift Capacities	1764 lb (800 kg) 1764 lb (800 kg)
Height to top of cabin w/o rotary beacon	76.7 inches (194.8 cm) 77.1 inches (195.8 cm)	Turning Radius	3.8 feet (1.16 meters)
Tractor Weight with 165 lb (75 kg) driver	2623 — 2919 lb (1190 — 1324 kg)	<h2 style="text-align: center;">COMPLY TO BUDGET CUTS WITH YEAR ROUND VERSATILITY</h2>	
Permissible Weight Restrictions For Trailer Applications	992 lb (450 kg)		
Permitted Axle Weight Front/Rear	3042 lb (1380 kg)		
Permitted Total Weight	5291 lb (2400 kg)		



Holder of North America
1351 Barfield Road
Greely, Ontario, Canada K4P 1A1
Tel: (613) 821-4171 Fax: (613) 821-1939

Local Dealer:

This information is intended to be of a general nature only; specifications are subject to change without notice as we continue to improve our products.
© Holder of North America 1999