

FORD D800 TRUCK - DIESEL

July 1971

RATINGS

Maximum G.V.W. 29,100 lb.
Maximum G.T.W. 44,800 lb.

D 120" \$8826
D 156" \$8941
D 182" \$9056



SPECIFICATIONS

DIESEL ENGINE Ford 380 Six Cyl.
Displacement 380 cu. in.
Compression Ratio 16 to 1
Gross Brake Horse Power 127 at 2800 r.p.m.
Net Brake Horse Power 113.5 at 2800 r.p.m.
Gross Torque 288 lb. ft. at 1600 r.p.m.
Net Torque 275 lb. ft. at 1500 r.p.m.

ENGINE EQUIPMENT

Air Cleaner Dry Type with Stack Pipe
Crankcase Ventilation Positive Air Flow
Oil Filter Full Flow Replaceable Element

CLUTCH Single Dry Plate 13 in.
Facing Area 168 sq. in.

GEARBOX

Turner T5A/3017 Five Speed Wide Ratio
Ratios 7.49, 4.38, 2.40, 1.48, 1.00
Reverse 7.20 to 1

AXLE, REAR

SINGLE SPEED (156 in. W.B. Only) Ford 16A Hypoid
Capacity 19,500 lb.
Ratio 7.2 : 1
TWO SPEED Eaton 17220 Spiral Bevel
Capacity 19,500 lb.
Ratios 6.5/8.8 7 : 1

FRAME Ladder Construction
Width 34 in.
Sidemember Section Single Channel

120 in. and 156 in. W.B.
Sidemember Dimensions 9.58 x 3.0 x 0.25 in.
Section Modulus 10 cu. in.
Yield Strength 51,000 lb/sq. in.

182 in. W.B.
Sidemember Dimensions 10.45 x 3.5 x 0.276 in.
Section Modulus 13.92 cu. in.
Yield Strength 51,000 lb/sq. in.

AXLE, FRONT Ford Rigid I Beam
Capacity 10,640 lb.

SPRINGS, FRONT 8 Leaf 4500 lb. capacity at pad

SPRINGS, REAR .. 14 Leaf 8700 lb. capacity at pad
Plus Aux. 4 Leaf, 2250 lb. Capacity

SHOCK ABSORBERS Front

WHEELS Disc Type 10 stud, Three Piece
Size of Rim 20 x B6.5
1 - Spare Wheel and Winch Type Carrier, Frame Mounted.

TYRES Tube Type
Front and Rear 9.00 x 20 - 12 Ply

BRAKES, SERVICE Girling Air Hydraulic
Front 15.5 x 5 in. 2 Leading Shoe
Rear 15.5 x 6.0 in. 2 Leading Shoe

BRAKES, PARKING

Mechanical - Operating the rear Service Brakes by Rod and Cable.

BRAKE EQUIPMENT

Air/Hydraulic Booster.. Dual Air/Hydraulic System

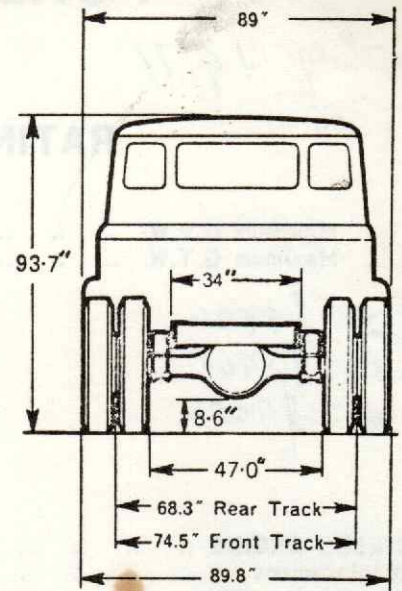
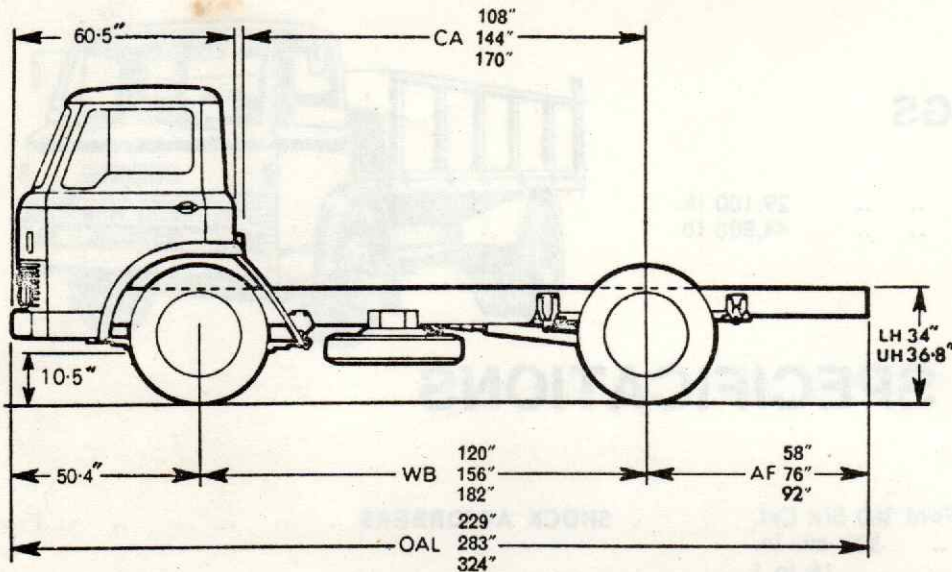
STEERING GEAR Cam 350Q Worm and Peg
Power Assisted Steering Optional Equipment

ELECTRICAL SYSTEM .. 12 volt. Negative Earth
Battery 120 amp. hr. at 20 hr. rate
Alternator 38 amp.
Starter Motor Lucas M50 Pre-engaged
Headlamps Semi-Sealed Beam 50/40W

FUEL SYSTEM, DIESEL Direct Injection
Injection Pump Simms Minimec
Lift Pump Mechanical Type
Fuel Tank Rectangular, Frame Mounted
Capacity 40 Imp. Galls
Fuel Filter Two Stage Type
Water Separator Replaceable Element Type

COOLING SYSTEM .. Pressurised, Pump Assisted
Radiator 4 Core
Fan Shroud

DIMENSIONS AND WEIGHTS D800



CALCULATED KERB WEIGHTS

	120in. W.B.	156in. W.B.	182in. W.B.
Front	5010 lb.	5060 lb.	5010 lb.
Rear	2920 lb.	2990 lb.	3260 lb.
Total	7930 lb.	8050 lb.	8270 lb.

CAB SPECIFICATIONS

CAB.. .. . Tilt Assisted Custom Cab
Finish .. . Acrylic Baked Enamel

CAB EQUIPMENT

Direction Indicators
 Door Lock (Driver's Side)
 Interior Light
 Toughened Glass Windshield with Zoned Area
 Dual Passenger Seat
 Headlining
 Opening Quarter Vent Windows
 Lockable Glove Compartment
 Speedometer
 Tachometer
 Air Pressure Gauges
 Odometer
 Fuel and Water Temperature Gauge
 Oil Pressure Gauge
 Battery Condition Meter
 Electric Windshield Wipers
 8 in. Deep Front Bumper
 Two Towing Eyes – mounted on Reinforced Bumper
 Printed Circuit Instrument Cluster
 Exterior Rear View Mirrors
 Large Ash Tray
 Rubber Floor Mats retained by Aluminium Scuff Plates
 Fused Lighting Circuit
 Safety Belt Anchorages

Sun Visor – Interior, Passenger and Driver's Side
 Front Fender Mudflaps
 Rear Fender Mudflaps
 Driver's Seat – Adjustable height, rake and reach.
 Heater and Demister
 Windshield Washers
 Horns – Dual Electric
 Two Coat Hooks
 Windshield Bright Surround (Exterior)
 Door Stowage Compartment (Driver's Side)
 Facia Crash Pad
 Scuff Plates on Wheel Arches
 Back Panel Interior Trim and Finish Mouldings
 Chrome Interior Door Pull Handles
 Chrome Assist Handles
 Audible Brake Warning Device

Warning Lights:-

High Beam	Turn Indicator
Alternator	Oil Pressure
Parking Brake	

Tools:-

Jack and Handle
 Wheel Nut Wrench

Ford policy is one of continuous improvement. The right to change prices, specifications or equipment at any time without notice is reserved.



FORD MOTOR COMPANY OF NEW ZEALAND LIMITED LOWER HUTT Licensed Motor Vehicle Dealer