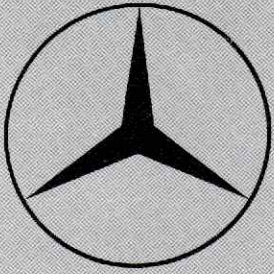
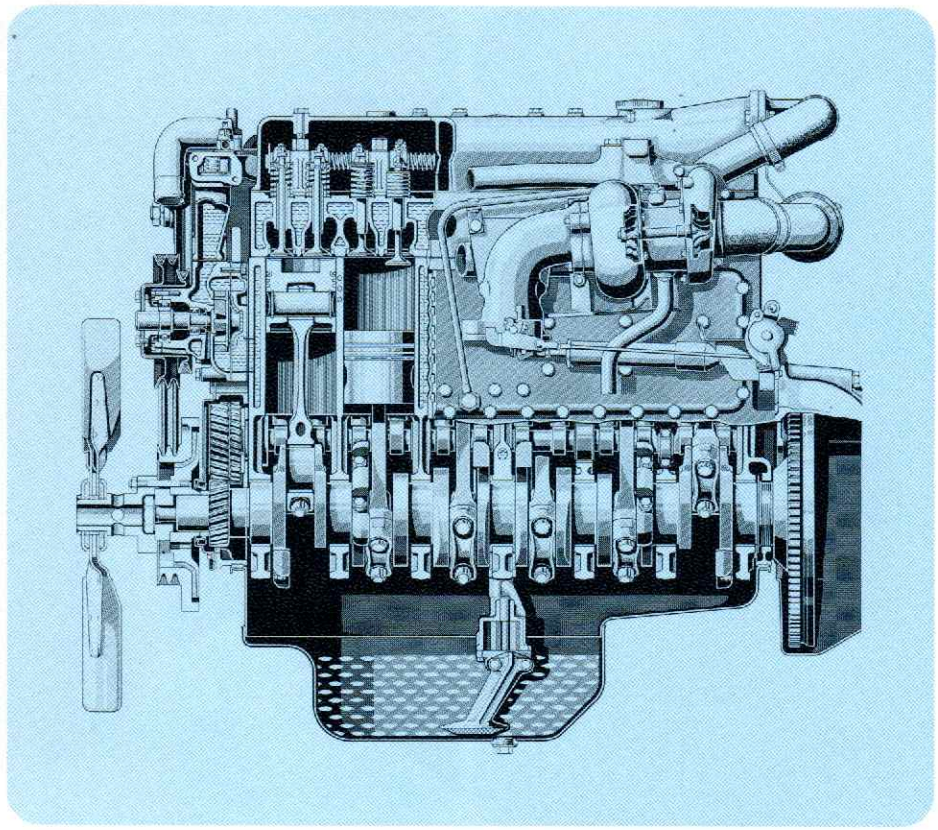


Mercedes-Benz



# Engine OM 352 A

with G 3/50-5/8.5  
gearbox



This Mercedes-Benz in-line diesel engine has proved to be a robust, technically advanced drive unit under conditions of continuous strenuous operation. Specific advantages: it is problem-free in operation, economical and easy to service.

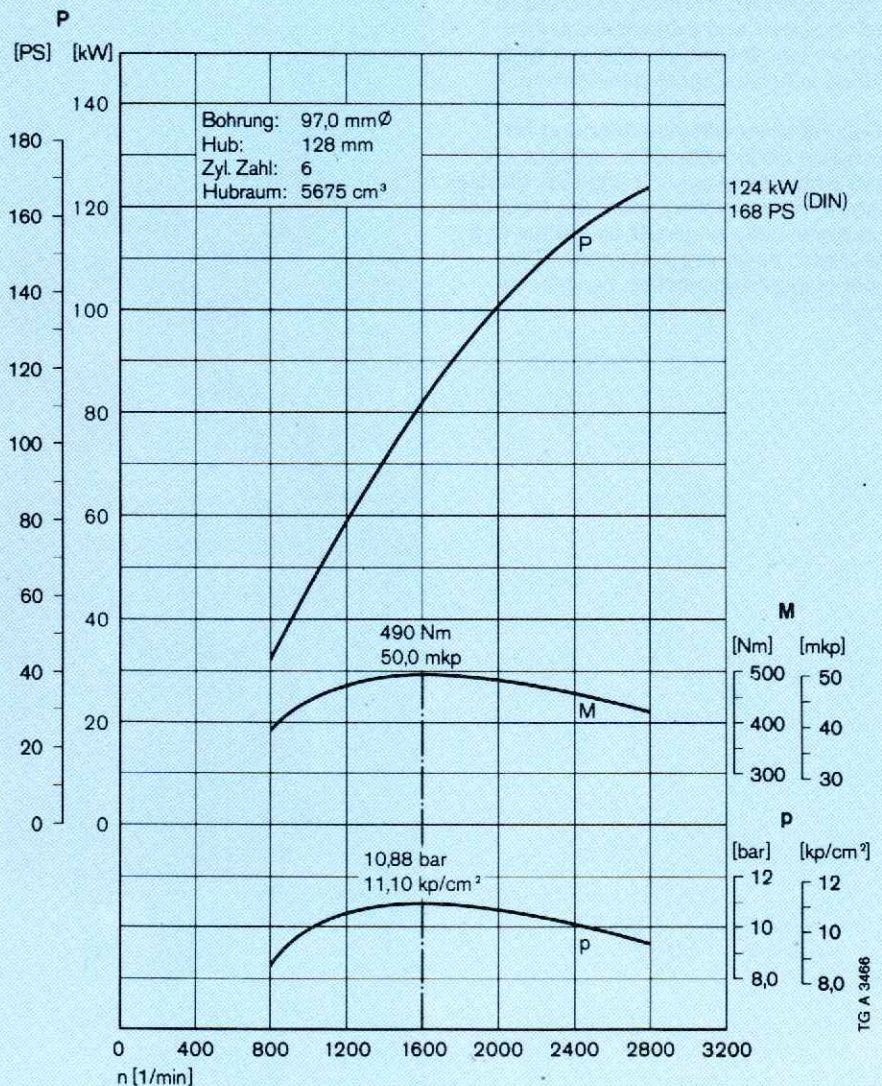
The high degree of component interchangeability for in-line engines facilitates maintenance and repairs and simplifies spare parts storage.

To increase output, this type of engine has been designed as a supercharged unit. An exhaust gas turbine drives a turbocharger which blows the compressed intake air into the cylinders.

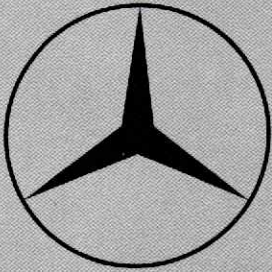
### Short description

Robust in-line engine with direct diesel injection. Complete combustion results in low fuel consumption – hence low operating costs. Smooth-running engine, little smoke emission – hence less environmental pollution. Water cooling ensures even thermal values. Engine output: 168 DIN/hp, 124 kW  
Max. torque: 50 mkp at 1,600 rpm or 490 Nm at 1,600/min

Mercedes-Benz OM 352 A

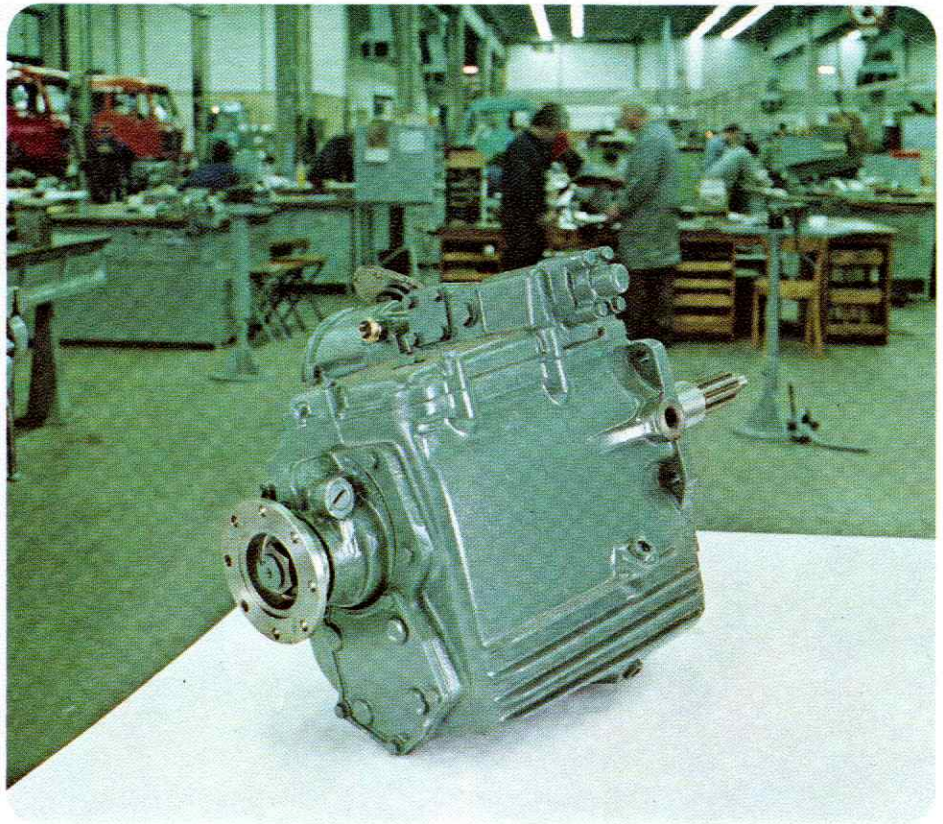


Mercedes-Benz



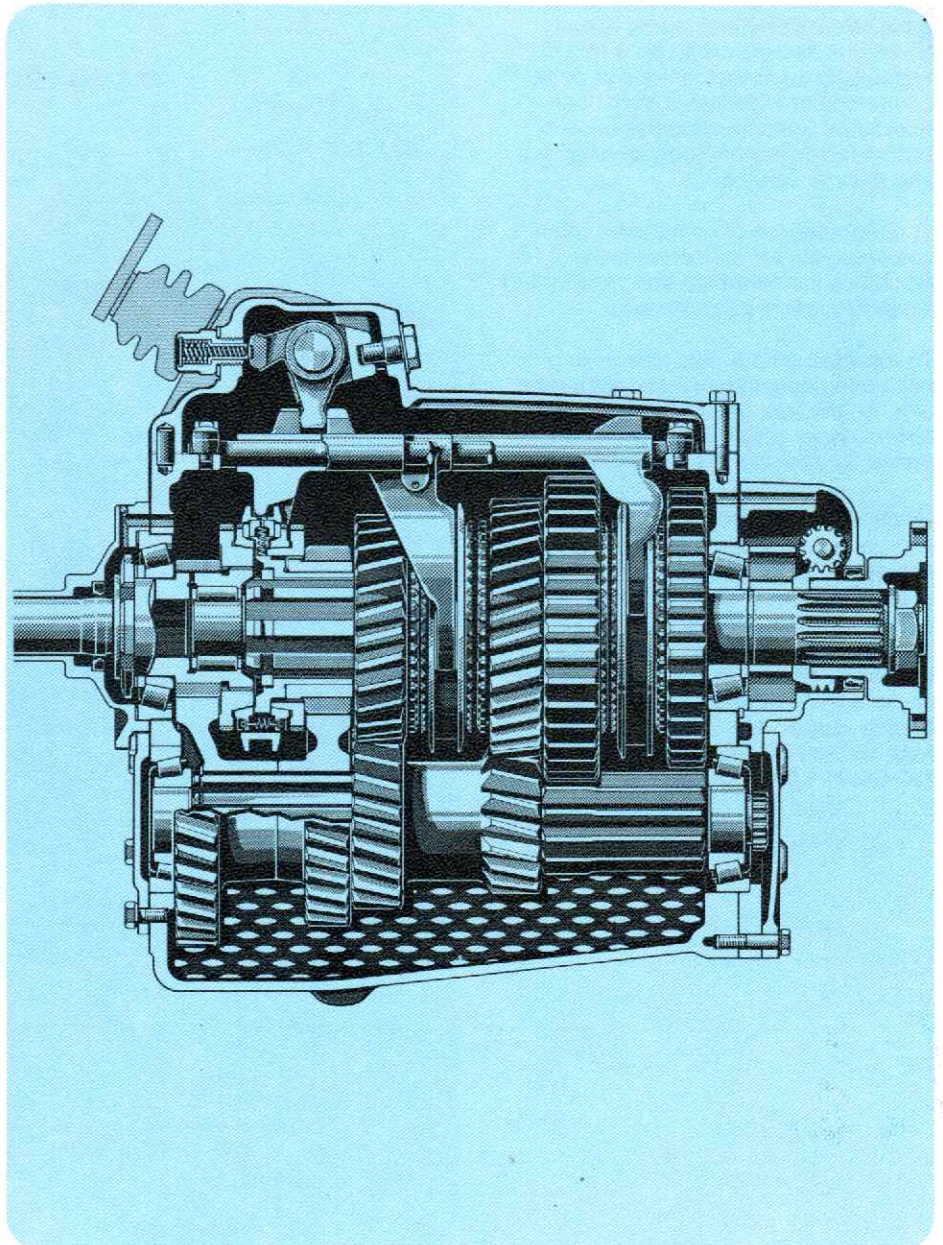
## Engine OM 352 A

with G 3/50-5/8.5  
gearbox

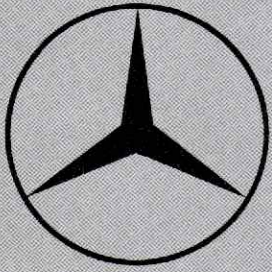


**F**ive-speed synchromesh gearbox, one reverse gear. A modified version of the tried-and-tested Mercedes-Benz G 3/60 gearbox. Perfectly matched to engine speed and performance. For economical, smooth driving and gear-shifting without double-declutching.

All-wheel drive vehicles intended for operation under difficult conditions are fitted with a separate VG 325-3W transfer case. In cross-country gear, the front axle is automatically engaged by means of a pneumatic three-stage cylinder. The result is excellent traction on difficult terrain.

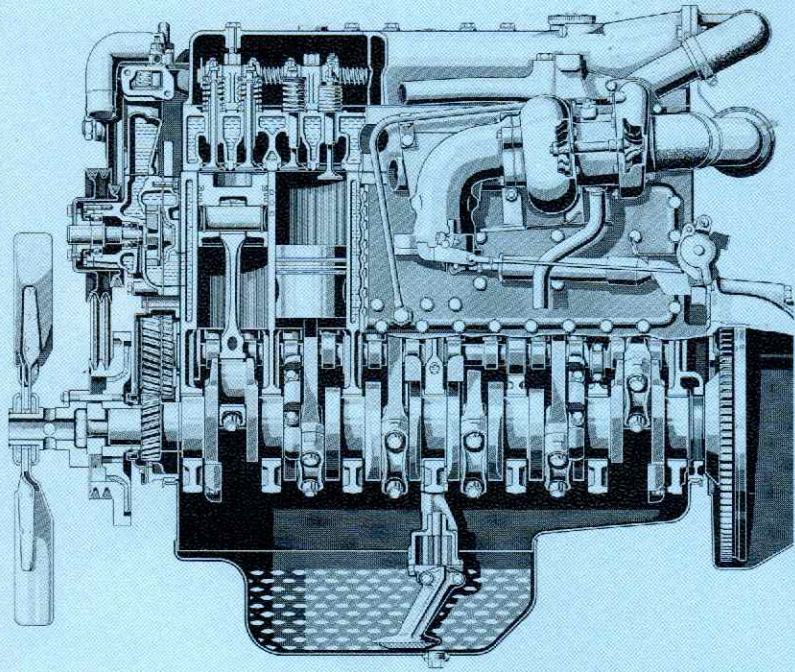


Mercedes-Benz



# Engine OM 352 A

with G 3/60-5/7.5  
gearbox



This Mercedes-Benz in-line diesel engine has proved to be a robust, technically advanced drive unit under conditions of continuous strenuous operation. Specific advantages: it is problem-free in operation, economical and easy to service.

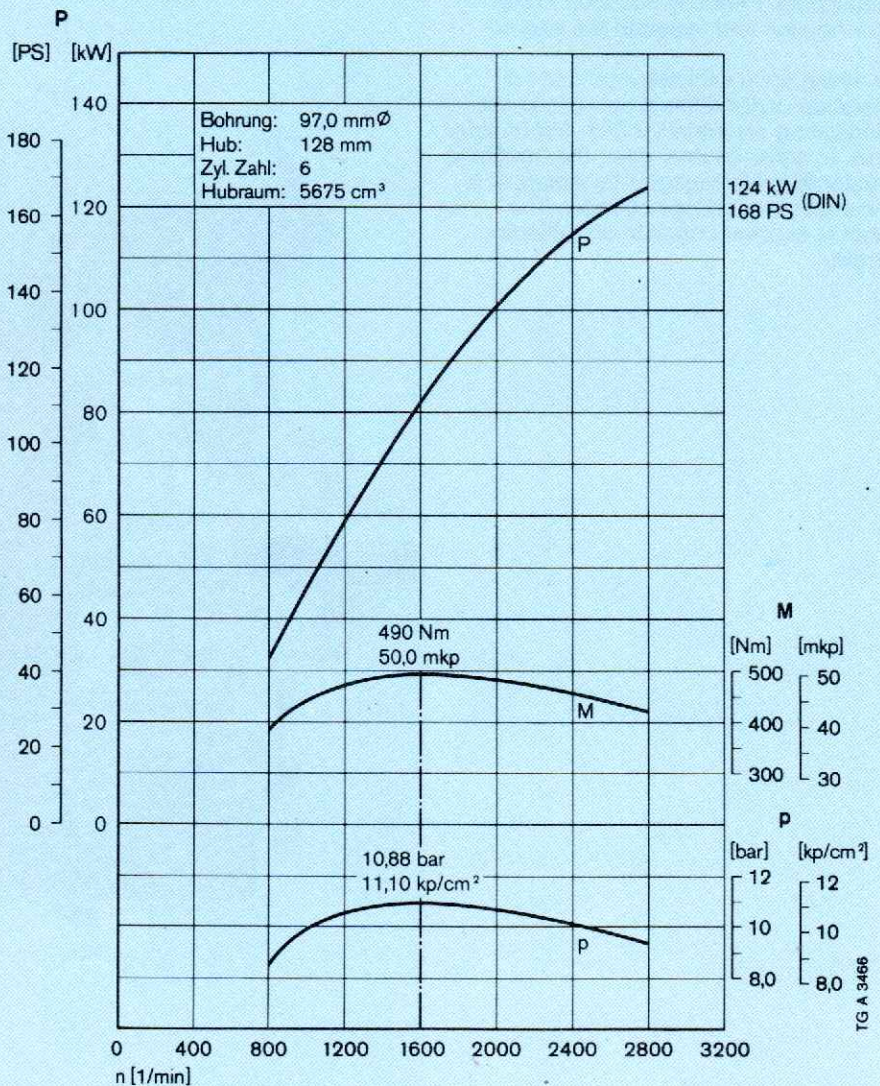
The high degree of component interchangeability for in-line engines facilitates maintenance and repairs and simplifies spare parts storage.

To increase output, this type of engine has been designed as a supercharged unit. An exhaust gas turbine drives a turbocharger which blows the compressed intake air into the cylinders.

### Short description

Robust in-line engine with direct diesel injection. Complete combustion results in low fuel consumption – hence low operating costs. Smooth-running engine, little smoke emission – hence less environmental pollution. Water cooling ensures even thermal values. Engine output: 168 DIN/hp, 124 kW  
Max. torque: 50 mkp at 1,600 rpm or 490 Nm at 1,600/min

### Mercedes-Benz OM 352 A



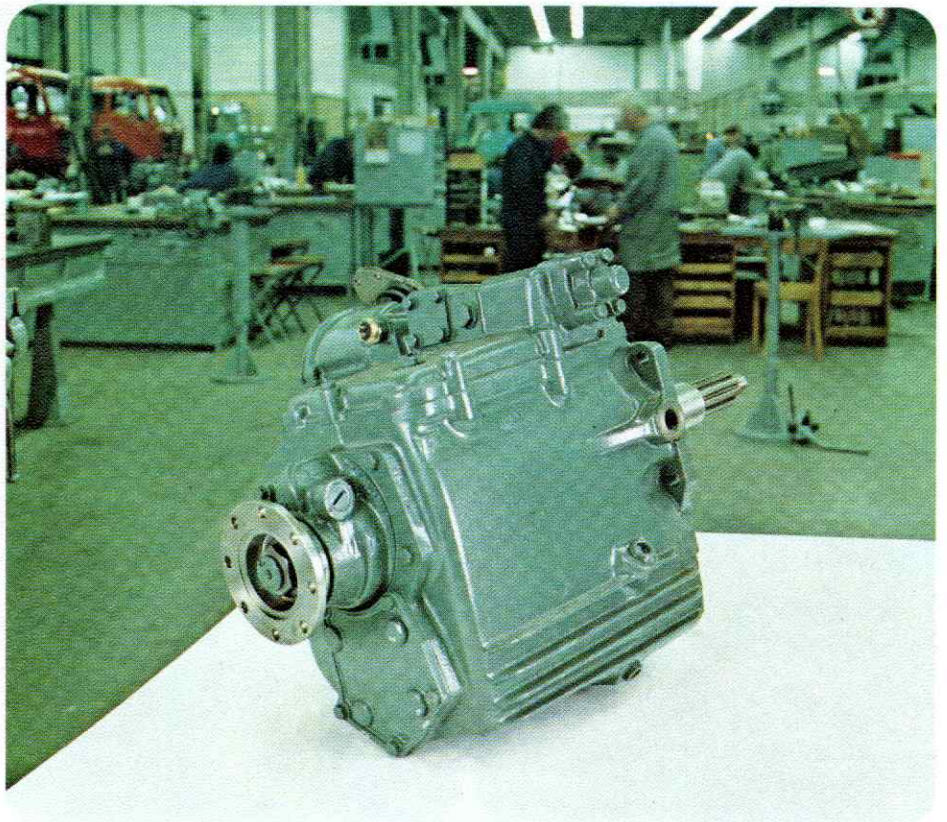
TG A 3466

Mercedes-Benz



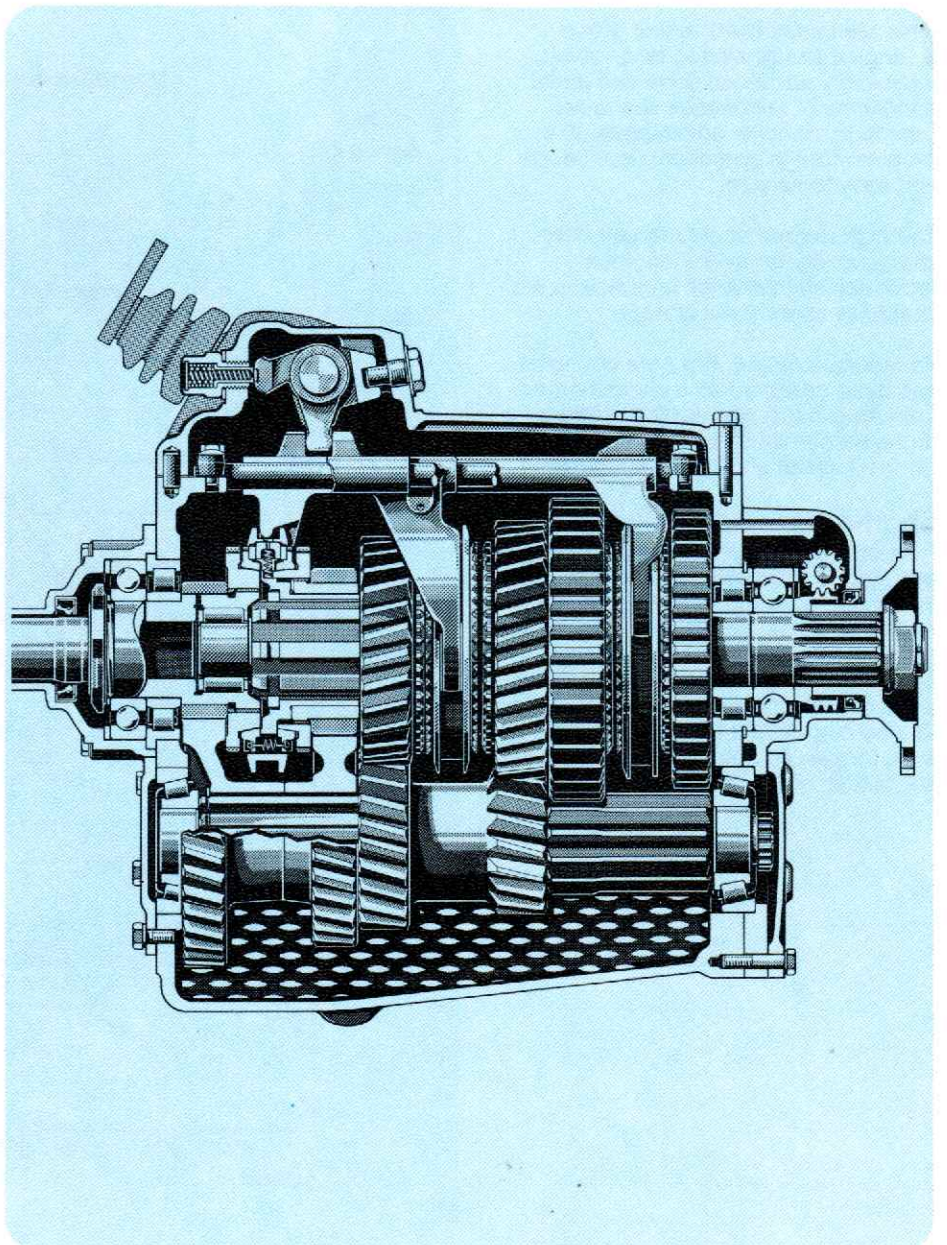
## Engine OM 352 A

with G 3/60-5/7.5  
gearbox



**F**ive-speed synchromesh gearbox, one reverse gear. For smooth, economical driving and gearshifting without double-declutching. Perfectly matched to the performance and speed of the engine.

All-wheel drive vehicles intended for operation under difficult conditions are fitted with a separate VG 325-3W transfer case. In cross-country gear, the front axle is automatically engaged by means of a pneumatic three-stage cylinder. The result is excellent traction on difficult terrain.

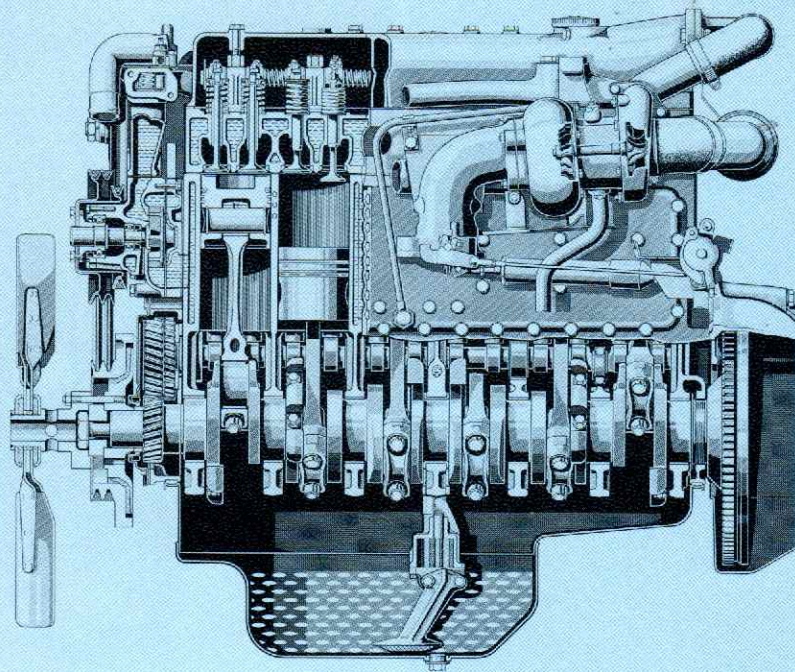


Mercedes-Benz



# Engine OM 352 A

with G 3/65—8/9.29 GP  
or G 3/65—9/13.36 GP  
gearbox



This Mercedes-Benz in-line diesel engine has proved to be a robust, technically advanced drive unit under conditions of continuous strenuous operation. Specific advantages: it is problem-free in operation, economical and easy to service.

The high degree of component interchangeability for in-line engines facilitates maintenance and repairs and simplifies spare parts storage.

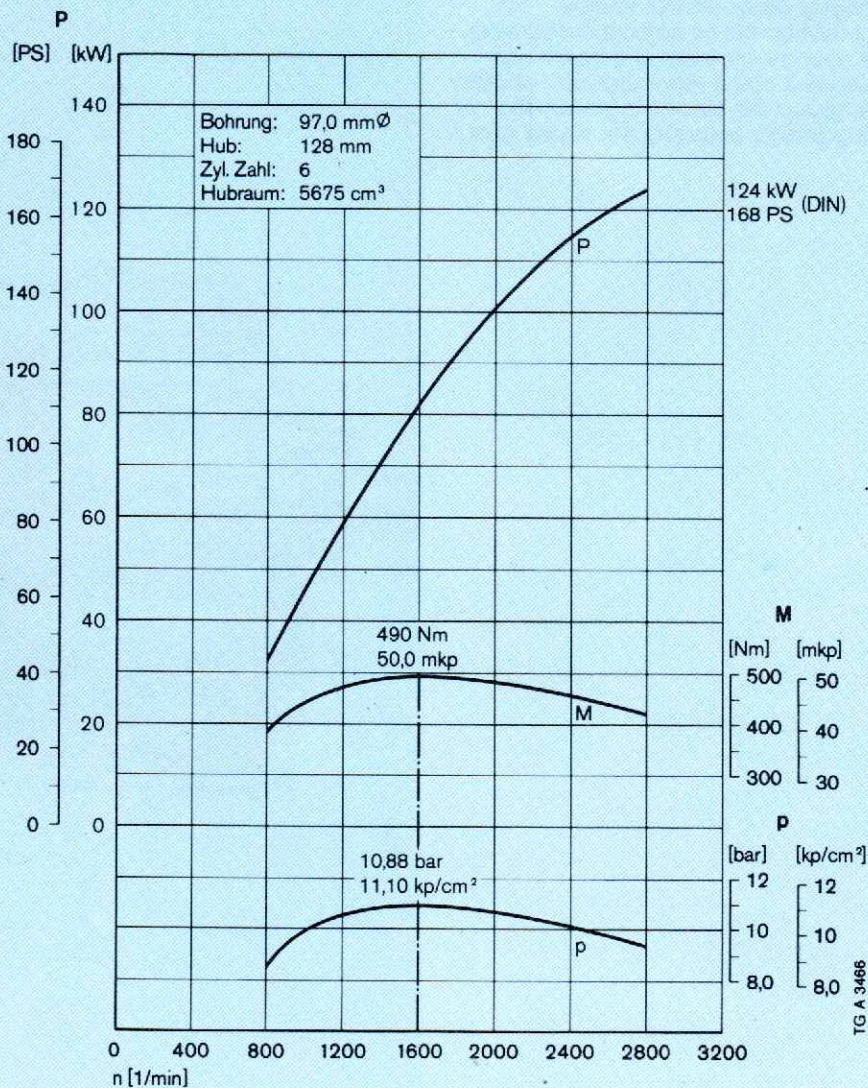
To increase output, this type of engine has been designed as a supercharged unit. An exhaust gas turbine drives a turbocharger which blows the compressed intake air into the cylinders.

### Short description

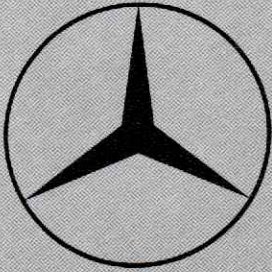
Robust in-line engine with direct diesel injection. Complete combustion results in low fuel consumption — hence low operating costs. Smooth-running engine, little smoke emission — hence less environmental pollution. Water cooling ensures even thermal values.

Engine output: 168 DIN/hp, 124 kW  
Max. torque: 50 mkp at 1,600 rpm or 490 Nm at 1,600/min

Mercedes-Benz OM 352 A

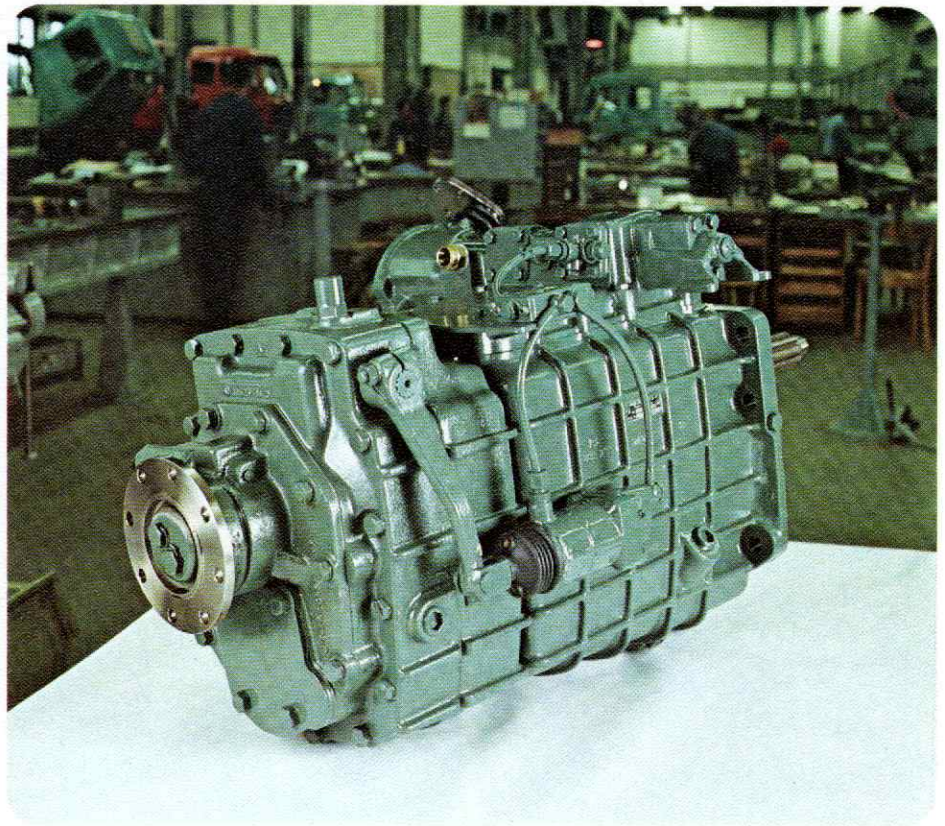


Mercedes-Benz



## Engine OM 352 A

with G 3/65—8/9.29 GP  
or G 3/65—9/13.36 GP  
gearbox



**E**ight-speed synchromesh gearbox, with or without crawler gear, one reverse gear. Rapid gearshifting means safety, and changing down without double-declutching means smooth, fast driving. The gearbox consists of a basic four-speed unit and a rear-mounted planetary gear group. An electronic-pneumatic lock prevents engaging the wrong gear.

