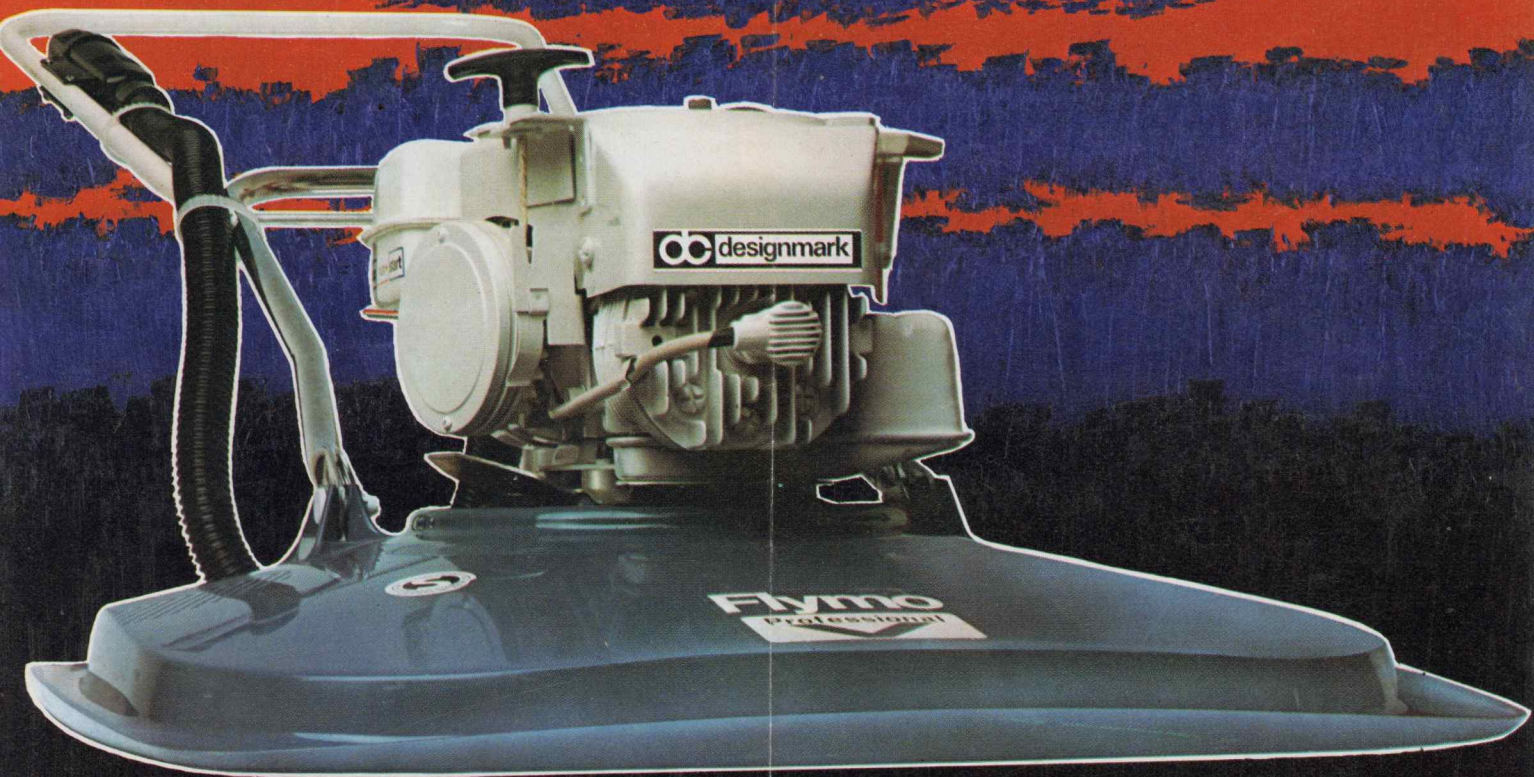




Now mow your lawn  
with a hovercraft.



Flymo flies through lawn mowing wet or fine-  
it's fastest and easiest mowing!

**Flymo** 

# Flymo goes where ordinary mowers does what ordinary



## Flymo wet or fine

Flymo operates just as effectively over wet surfaces as it does over dry. The special Flymo twin-filter system incorporating a 'snorkel' and sponge foam filter sees to that. Flymo floats over the softest ground, no wheel damage, no bogging down. The air up-draught action raises every blade of grass, even heavy wet grass, into the blade, ensuring a fine, even cut.



## Over edges and verges

Flymo floats over edges and verges – no scalping the grass, no bare patches. Flymo raises untidy grass and actually trims the lawn edges – safely, effortlessly.

## Flymo mulches

Wet, dry, long grass or short, Flymo reduces grass clippings to a fine mulch which is deposited at the roots of the grass acting as a natural fertiliser. No awkward catchers to empty and with regular mowing you get a smooth, groomed, greener lawn.

# Ordinary mowers don't, any mowers can't



## Steep banks, shrubs and trees

Banks too steep for ordinary mowers, pose no problems for Flymo. Using the special Flymo handle extension means effortless, safe cutting on such once impossible-to-get-at places. No other mower can outmow Flymo on steep banks and slopes! And with its low profile – and unique gliding motion Flymo manoeuvres with ease around tree bases, under shrubs, fences, benches.



## Ultra light

Flymo weighs only 29lbs – little more than half the weight of ordinary mowers, and amazingly rugged. Handle folds and for storage Flymo can be hung on the wall.

## Any lawn is Flymo lawn

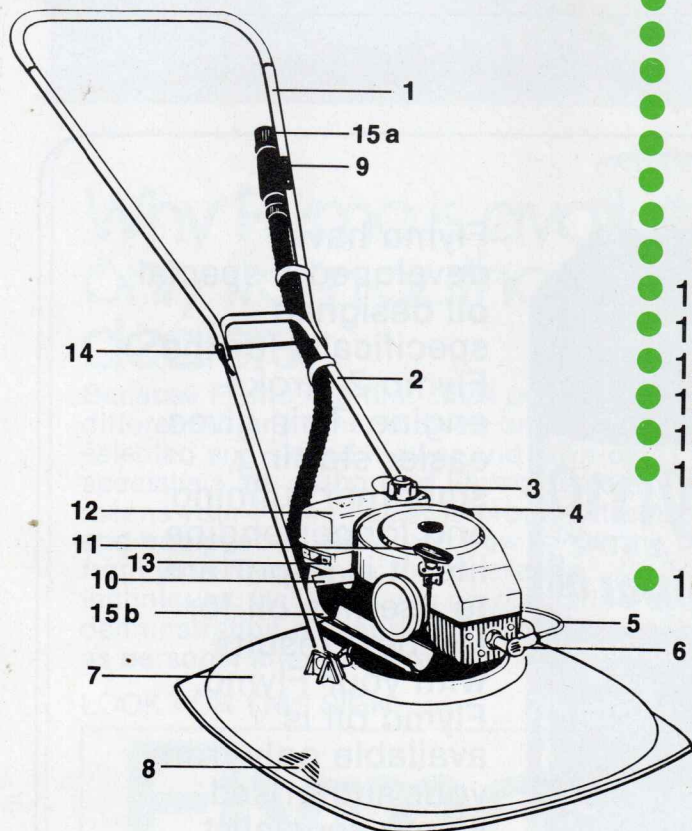
Flymo works just as effectively over flat, easy lawns as it does on undulating slopes, banks – wet or dry, rough or fine, long or short – it's fastest and easiest mowing – on any type of grass.

# Flymo is advanced engineering

Our engines rate with the best in the world. Italian Aspera, 4 hp 2-stroke with easy vertical pull starter. Minimum of moving parts ensures longer working life. Sturdy, thoroughly tested and proven, the Flymo carries a 12 month guarantee.

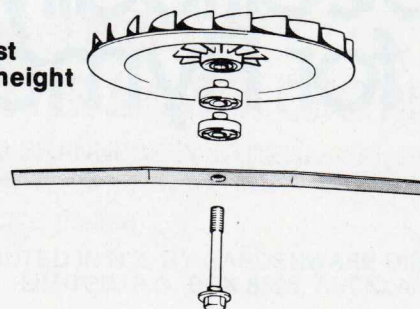


## Flymo's Professional 47' (19" 47cm)

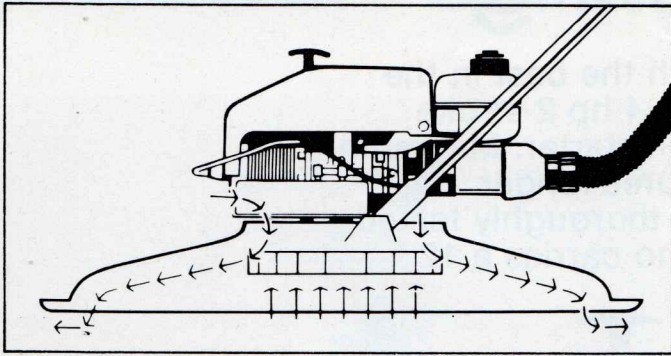


- 1. Upper handle
- 2. Lower handle
- 3. Airvent screw
- 4. Up-stop latch for handle
- 5. H.T. Lead
- 6. Spark Plug
- 7. Hood
- 8. Footrest for starting
- 9. Air filter housing
- 10. Stop/start lever
- 11. Vertical pull starting handle
- 12. Fuel tank
- 13. Combined Petrol tap and Filter
- 14. Releasing knob for folding handle
- 15. Twin-filter system incorporating
  - (a) 'snorkel' air cleaner
  - (b) foam sponge filter
- 16. Five cutting heights

To adjust cutting height



# Flymo was bound to happen



As the hovercraft floats over various terrains so the Flymo flies over your lawn. An exciting new concept both tested and proven.

Although the idea of a float-on-air mower may be new to you Flymo has been accepted with incredible success in 73 countries throughout the world. And because Flymo floats on a cushion of air, no wheels, it goes where ordinary mowers won't, does what ordinary mowers can't. Flymo goes backwards, forwards, and sideways, gliding effortlessly all the way – reducing time and effort up to an incredible 60%.

## How Flymo works

The engine drives an impeller which sucks in air and forces it to the edge of the tough, one-piece A.B.S. moulded body. An air cushion is formed lifting the machine approximately 1/4" (5 mm) off the ground. The upward return air stream raises the grass to the blade giving a clean, even cut – even with wet grass.



We made  
Flymo oil  
specifically  
for Flymo



Flymo have developed a special oil designed specifically for the Flymo 2-stroke engine. This gives easier starting, smoother running and longer engine life. It is important to use this oil for the best results with your Flymo. Flymo oil is available only from your authorised Flymo specialist dealer.

# We want you to have an obligation-free demonstration on your own lawn



Seeing is believing. And that's just what your authorised Flymo specialist dealer wants you to do . . . see a Flymo in action on your own lawn before you buy. He wants you to see how good your lawn looks after it has been cut with a Flymo. How it cuts evenly, giving a smooth, groomed lawn. He wants to show you how, with regular mowing, a Flymo will give you a well-cut, good looking, greener lawn. And, most importantly, we'd like you to try a Flymo yourself, because only by using the machine will you discover the incredible ease and speed of an airborne mower, under all conditions, on banks, undulating slopes and flat lawns – rough or smooth, long or short, wet or dry. He would like to explain how a Flymo takes better care of your lawn whether it's newly laid or well established and how it promotes a healthier, greener lawn. Your Flymo specialist wants to show you the correct way to use your Flymo on your lawn for best results, and tips on basic maintenance. Simply ask your authorised Flymo specialist – he'll be happy to arrange a demonstration for you anytime.

## Why Flymo is available only from authorised dealers

Because Flymo is a first-class product and so different to any other mower, only carefully selected and skilled mower and lawn-care specialists are authorised Flymo dealers. This means your Flymo dealer is properly trained and equipped to show you how to get the best from your Flymo in actual operation techniques. He'll give you an obligation-free demonstration on your own lawn. This as well as personal after-sales service, for your Flymo.

LOOK FOR THIS SIGN



## NOW GO SEE YOUR FLYMO DEALER

and buy easier mowing the easier way.

### **EASIEST OF TERMS**

- \* CASH
- \* CASH PRICE OVER 3 MONTHS
- \* 12, 18, 24 OR 30 MONTH TERMS

ONLY FROM

### **BETTER MOWER CENTRE**

51 O'SHANNESSEY STREET  
(OPP. R.S.A.) PAKAKURA  
PHONE 85-186

DISTRIBUTED IN N.Z. BY GARDENWARE DISTRIBUTORS LIMITED, P.O. BOX 8595, AUCKLAND.